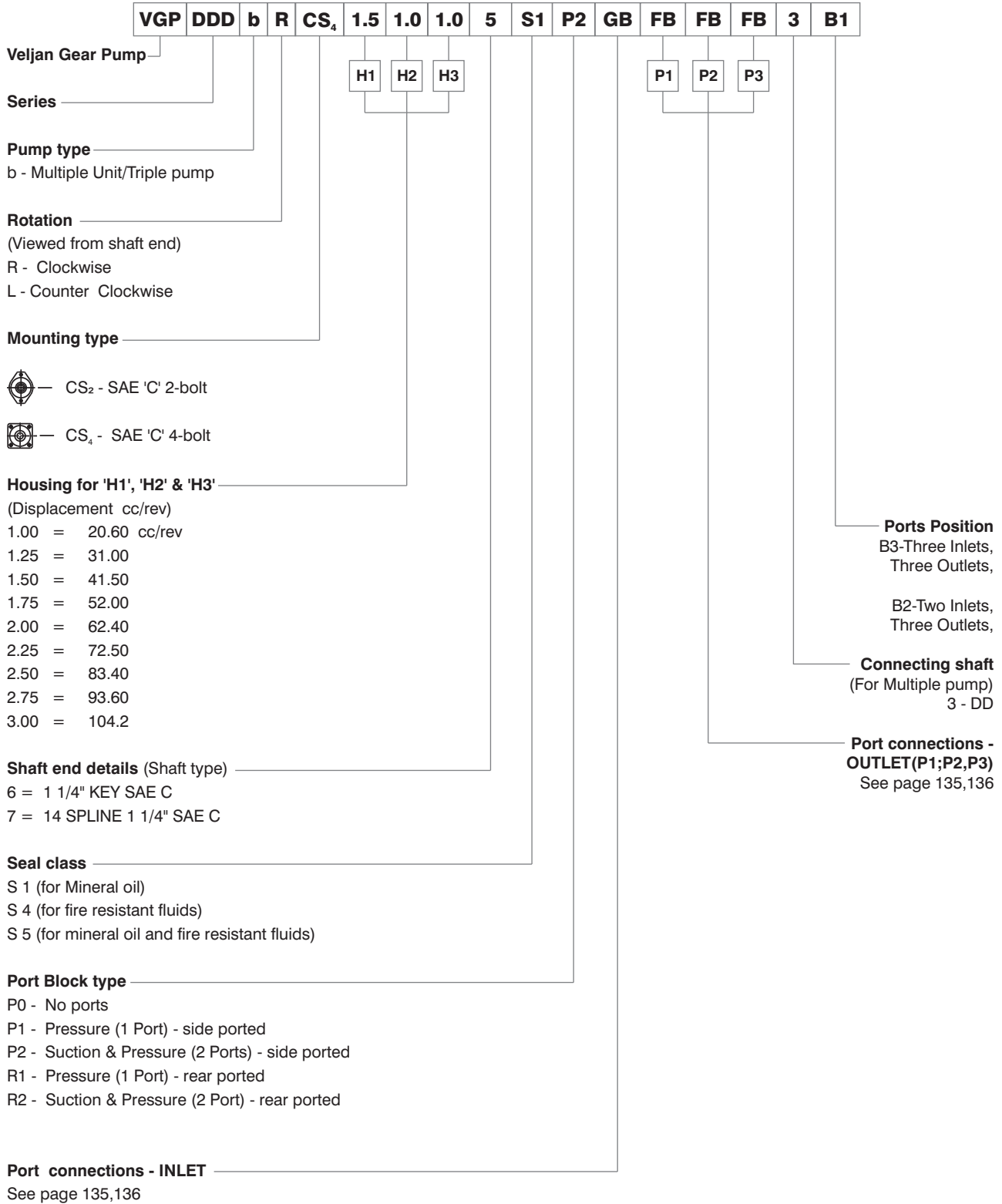


## DDD Series

### Gear Pump Ordering Code



VGP  
TGP

## Performance Data:-

The performance data shown below are the average results based on a series of laboratory tests of production units and are not necessarily representative of any one unit. Test were run with an oil reservoir temperature of 50°C and a viscosity of 38mm<sup>2</sup>/S at 40°C.

Note: Pump output flow is at the maximum rated pressure (See page 16, General pump data)

VGP  
TGP

## VGP - D Performance Data :

D-Series		Gear Housing Widths								
		1.00"	1.25"	1.50"	1.75"	2.00"	2.25"	2.50"	2.75"	3.00"
cc/rev		20.6	31.0	41.50	52.0	62.40	72.5	83.40	93.6	104.2
Pressure	(bar)	240	240	240	240	240	220	200	190	170
	(psi)	3500	3500	3500	3500	3500	3250	3000	2750	2500
Max.Speed	(rpm)	2400	2400	2400	2400	2400	2400	2400	2400	2400
Pump Weight	(kg)	23.00	23.10	23.10	24.20	24.90	25.90	26.20	26.90	27.80

## Relational chart for Flow rate & Housing width:

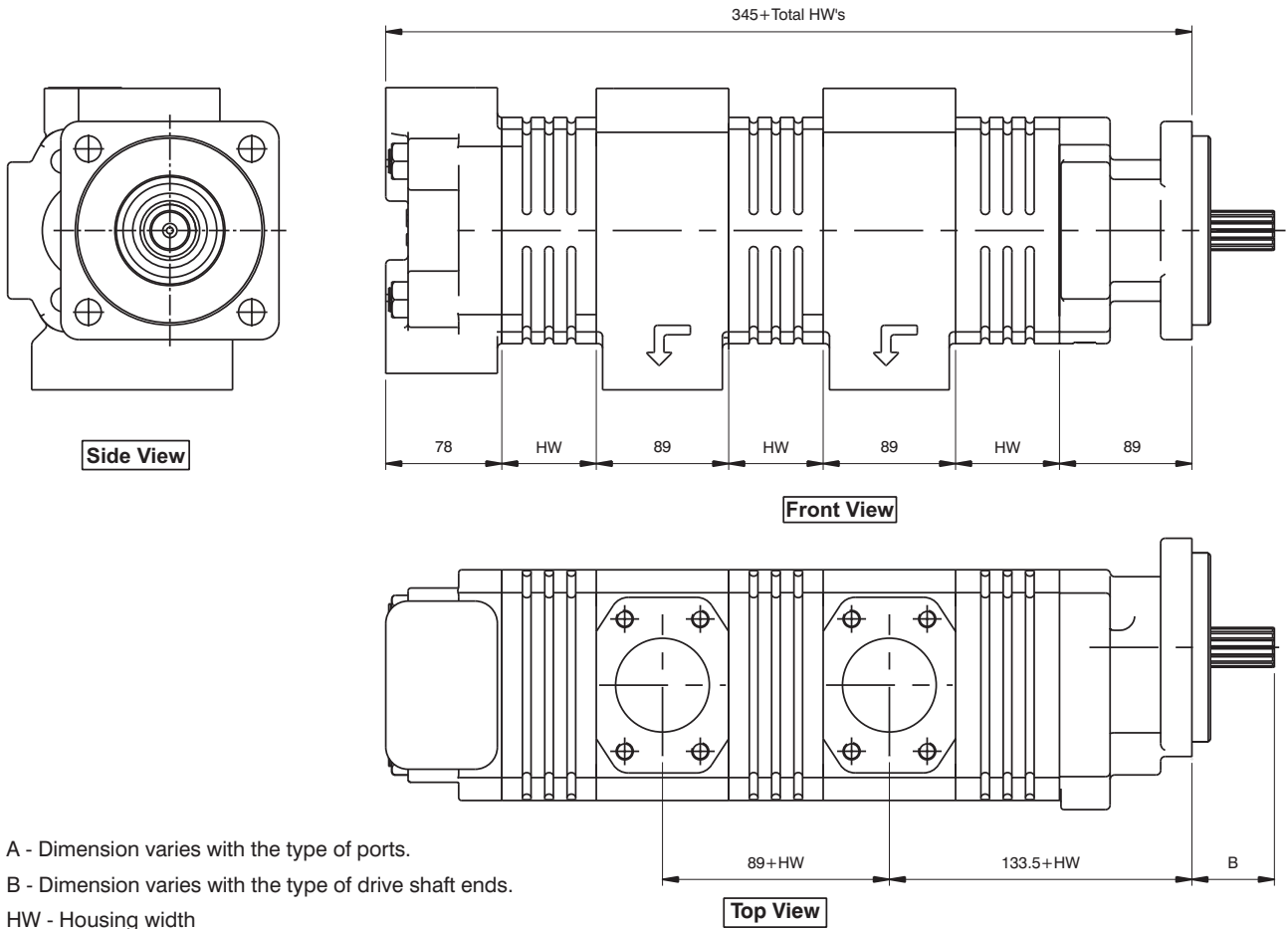
Speed (rpm)	Gear Housing Widths / Flow Rate [ VGP - D Series ]																	
	1.00"		1.25"		1.5"		1.75"		2.0"		2.25"		2.50"		2.75"		3.00"	
	gpm	lpm	gpm	lpm	gpm	lpm	gpm	lpm	gpm	lpm	gpm	lpm	gpm	lpm	gpm	lpm	gpm	lpm
D 1000	5.41	20.50	7.97	30.20	10.59	40.10	13.42	50.80	16.30	62.0	19.15	72.50	21.80	82.80	24.72	93.60	27.42	103.80
1500	7.52	28.50	11.38	43.10	15.36	58.15	19.59	74.15	24.17	91.52	28.20	106.75	32.25	122.10	36.56	138.41	40.34	152.71
2000	10.35	39.2	15.42	58.40	20.64	78.15	26.31	99.61	32.23	122.0	37.91	143.50	43.14	163.30	48.90	185.12	54.31	205.60
2400	12.47	47.20	18.52	70.12	24.87	94.14	31.65	119.82	38.67	146.4	45.39	171.81	51.94	196.62	58.78	222.51	65.28	247.12

## Relational chart for Housing width & Input Power :

Speed (rpm)	Gear Housing Widths / Input power [ VGP - D Series ]															
	1.25"		1.5"		1.75"		2.0"		2.25"		2.50"		2.75"		3.00"	
	HP	KW	HP	KW	HP	KW	HP	KW	HP	KW	HP	KW	HP	KW	HP	KW
D 1000	19	14	24	18	30	22	36	27	40	30	42	31	44	33	47	35
1500	27	20	35	26	43	32	54	40	58	43	61	45	63	47	66	49
2000	35	26	46	34	58	43	71	53	75	56	78	58	83	62	86	64
2400	40	30	54	40	68	51	84	63	90	67	93	69	98	73	101	75

Note: In accordance with our policy of continuous development, we reserve the right to change specifications shown in this catalogue without notice.

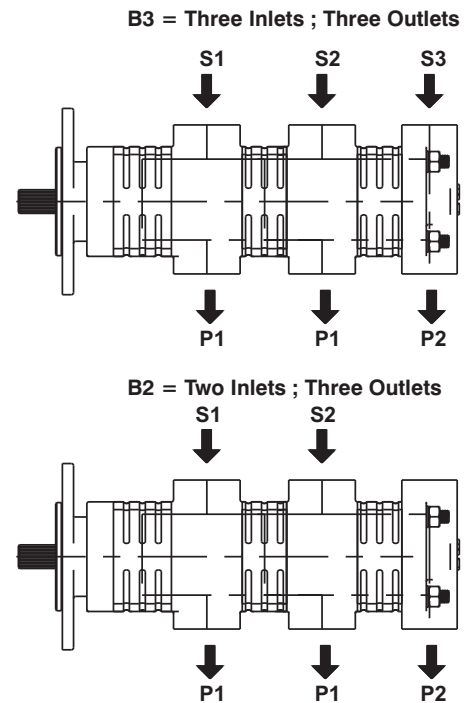
## Triple Pump Unit Dimensions of VGP - DDD :-



VGP  
TGP

A - Dimension varies with the type of ports.  
 B - Dimension varies with the type of drive shaft ends.  
 HW - Housing width

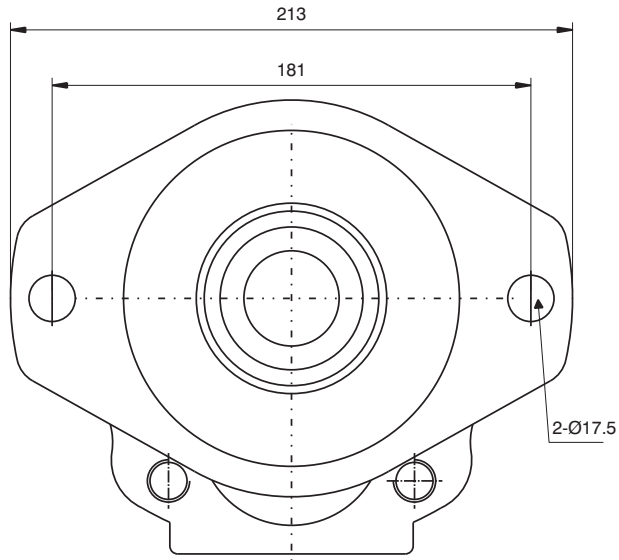
VGP-DDD Series			
Housing Width Inches (HW)	Displacement (cc/rev)		
	P1	P2	P3
1.00"	20.60	20.60	20.60
1.25"	31.00	31.00	31.00
1.50"	41.50	41.50	41.50
1.75"	52.00	52.00	52.00
2.00"	62.40	62.40	62.40
2.25"	69.80	69.80	69.80
2.50"	83.40	83.40	83.40
2.75"	93.60	93.60	93.60
3.00"	104.2	104.2	104.2



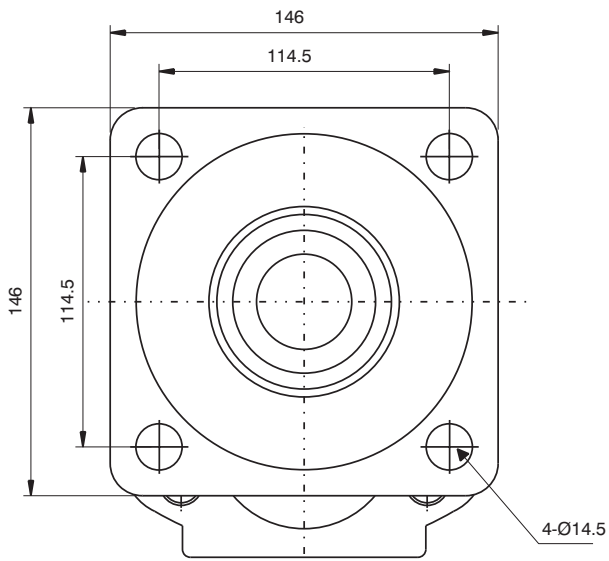
FLANGE DETAILS - 'DDD' Series:-

VGP  
TGP

S.A.E - "C" 2 - BOLT FLANGE



S.A.E - "C" 4 - BOLT FLANGE



## Unit dimensions of VGP-DDD

### Side ported (SAE Versions)

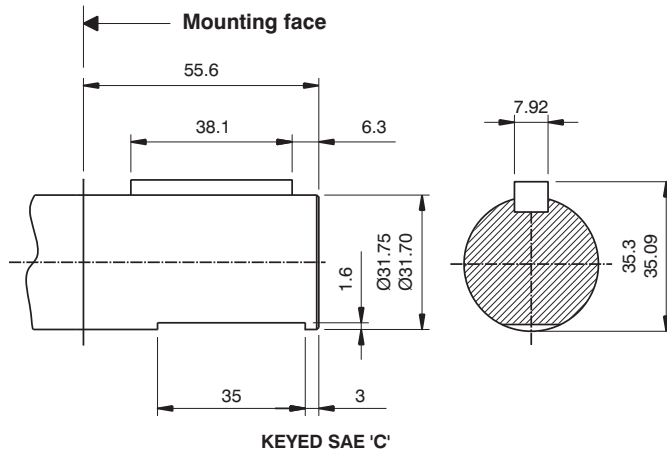
#### Shafts :

- Pump rotation as viewed from the shaft end: Clockwise rotation - outlet on right; Counter clockwise rotation - outlet on left  
Satisfactory drive shaft transmission capacity is indicated with the product of pressure(P) & Displacement (D) is less than or equal to (<) a given constant. The units of P & D are expressed in psi & in<sup>3</sup>/rev. respectively

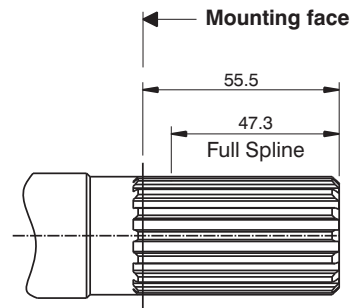
VGP  
TGP

#### Drive shaft configurations :

##### SHAFT CODE 6:-



##### SHAFT CODE 7:-



SAE-C splined shaft  
12/24 dp.14 teeth  
30° PA flat root side fit.

#### Drive shaft ( Shaft loads)

##### Maximum Input Torque for VGP - DDD series :-

Code	Shaft type	Torque rating	
		Nm	lb-ft
6	KEYED SAE C	675	500
7	14 TEETH SPLINED SAE C	958	705