

Hillmar

Hillmar Industries Ltd.

7371 Vantage Way
Delta, BC V4G 1C9
P:604 946-7115 F:604 946-0329
info@hillmar.com www.hillmar.com

**RAIL BRAKE RBHS
RBHS-STSR-300-050
SPECIFICATION SHEET
SLS & MKTG
ENGLISH**

Sheet Number:

Job Number:

Form Number:

229-213-88506PT

Company / Project Reference:

Date.:

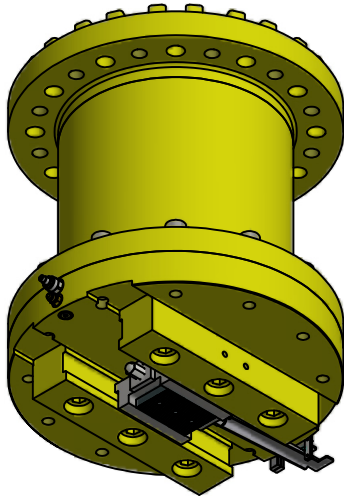
Page.:

1 OF 1

Document Package No.:

Rev.:

Inventor Drawing



FEATURE	CODE
Rail brake static	RBHS
Single rail	STSR
Capacity (kN)	300
Coefficient of friction	050

Example for ordering	RBHS-STSR-300-050
-----------------------------	--------------------------

TECHNICAL DATA

Motor size (kw)	2,2
Total available stroke (mm)	20
Full stroke oil volume (l)	1,6
Release pressure (nominal) (MPa)	8.9
Pressure port connection	-6 ORB
Drain port connection	-4 ORB
Min. recommended pipe size	-6 JIC
Temperature range (°C)	-20 to +70
Max. operating pressure (MPa)	11.5
Mounting holes	12 x Ø32
Mounting bolts	12 x M30 GR 10.9
Weight with out oil (kg)	720

OPERATING RANGE

Retracted clearance "A"	Applied force kN	Holding force kN @ $\mu=0.5$
0	705	353
6	627	314
* 8	600	300
10	572	286

NOTES

Caging key allows the rail brake to be held in released position.

International patent applies.

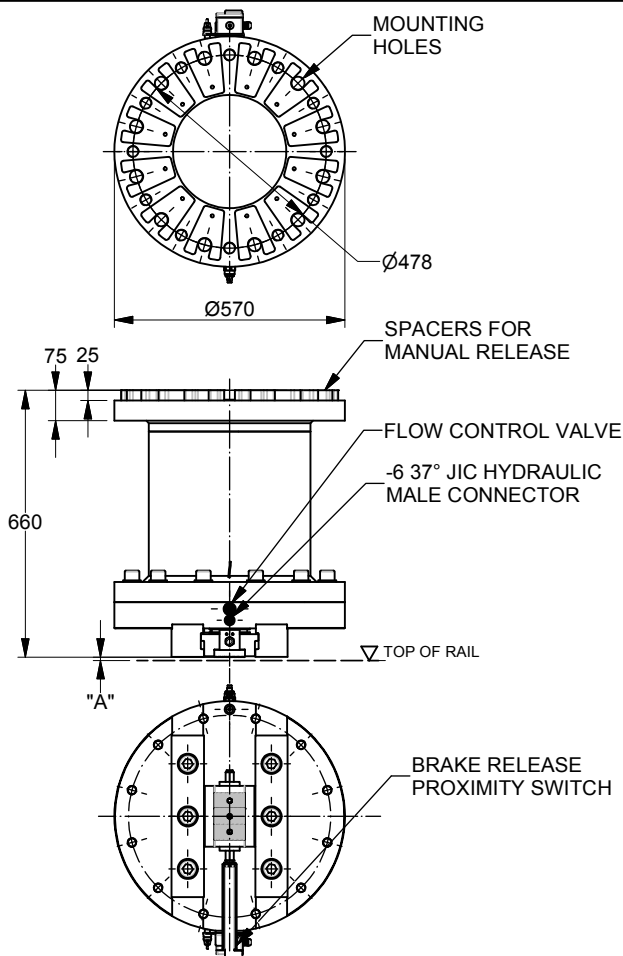
All figures are nominal figures only.

All dimensions are in millimeters .

Shaded area indentifies safe operating range.

* Nominal recommended retracted clearance = 8mm.

Spring life @ nominal retracted clearance >600,000 cycles.



Document Template #710-101-62058

** ALL TECHNICAL DATA IS SUBJECT TO CHANGE WITHOUT NOTICE **

Hillmar works have a fully registered ISO 9001-2008 quality assurance programme (QCB #01-1525)

C:\Vault_Workspace\HILLMAR\HILLMAR PRODUCTION\02 STORM BRAKES\0700-2\07002007 RBHS-ST02 SPC-SHT-RBHS-STSR-300-050-050.dwg