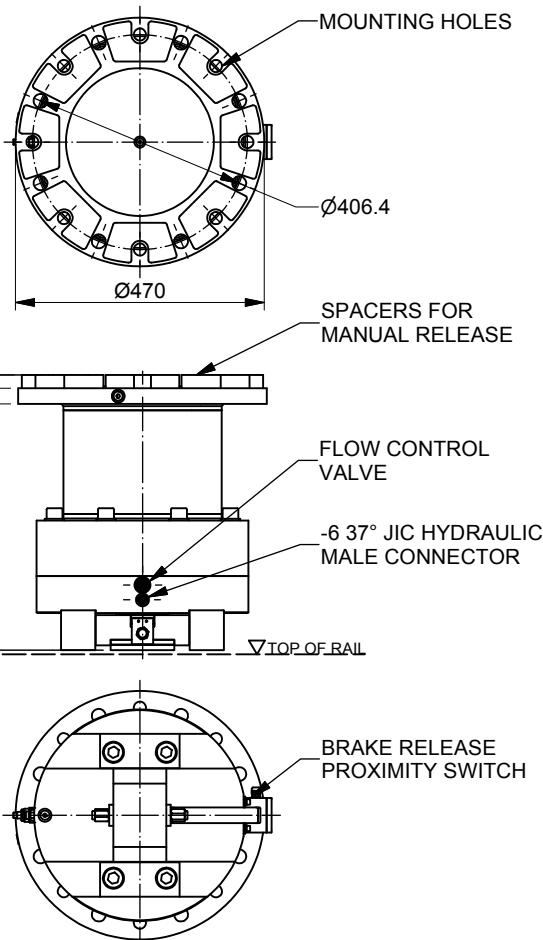
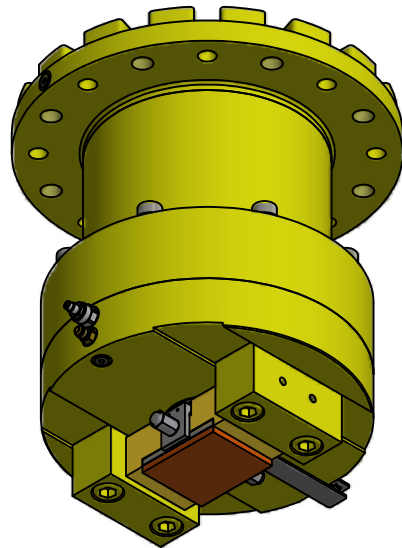


Inventor Drawing



FEATURE	CODE
Rail brake dynamic	RBHD
Single rail	STSR
Capacity (kN)	060
Coefficient of friction	040

<b>Example for ordering</b>	<b>RBHD-STSR-060-040</b>
-----------------------------	--------------------------

TECHNICAL DATA	
Motor size (kw)	0.75
Total available stroke (mm)	20
Full stroke oil volume (l)	1.1
Release pressure (nominal) (MPa)	4
Max. operating pressure (MPa)	6
Temperature range (°C)	-20 to +70
Hydraulic connector	-6 37° JIC
Mounting holes	8 x Ø23
Mounting bolts	8 x M20 GR 8.8
Weight with out oil (kg)	320

OPERATING RANGE		
Retracted clearance "A"	Applied force kN	Holding force kN @ $\mu=0.40$
0	214	86
6	187	75
* 8	178	71
10	169	68
12	159	64

**NOTES**

Caging key allows the rail brake to be held in released position.  
International patent applies.  
All figures are nominal figures only.  
All dimensions are in millimeters .  
Shaded area identifies safe operating range.  
\* Nominal recommended retracted clearance = 8mm.  
Spring life @ nominal retracted clearance >2,000,000 cycles.