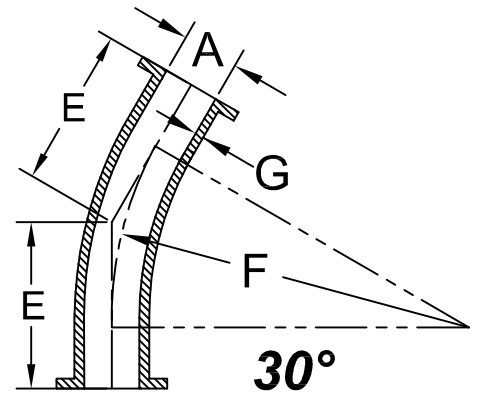
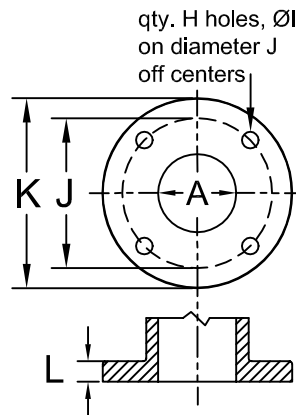
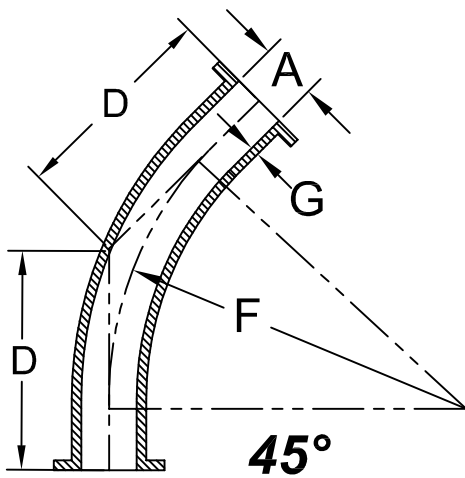
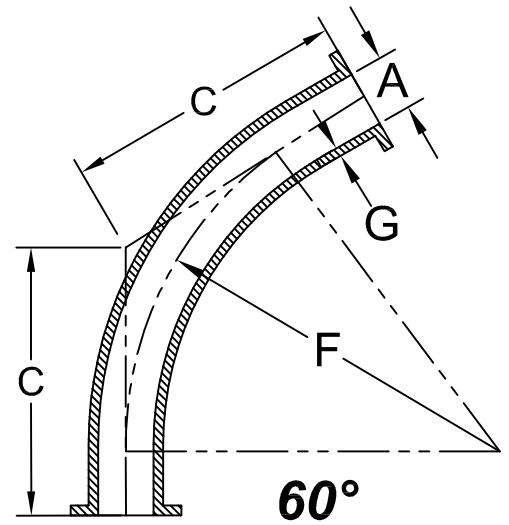
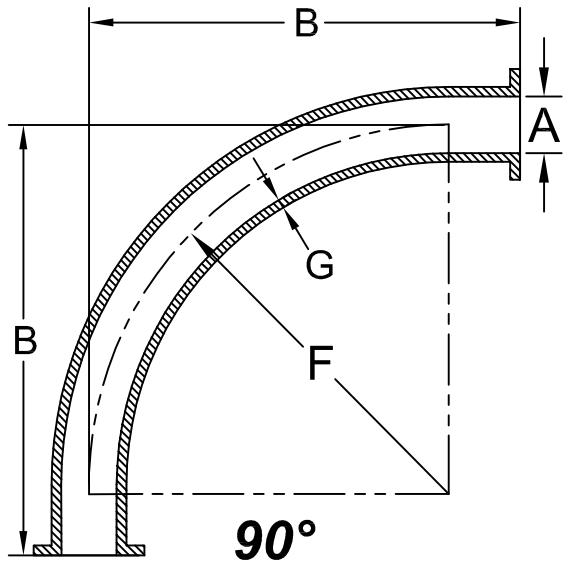


Large Radius *Ni-hard* Corners



Dimensions are approximate and subject to change without notice.

| I.D. | 90° | 60° | 45° | 30° | radius | wall | Flange Dimensions (ASA150) | | | | | 90° | 60° | 45° | 30° |
|------|-----|--------|-----|--------|--------|-------|----------------------------|-----|--------|--------|-------|-----|-----|----------------------|-----|
| | B | C | D | E | | | F | G | H | I | J | K | L | weight (approximate) | |
| 2 | 15 | 10 | 8 | 6-1/4 | 12 | 1/2 | 4 | 3/4 | 4-3/4 | 6 | 7/8 | 35 | 30 | 24 | 16 |
| 3 | 21 | 133/8 | 10 | 7-7/8 | 18 | 5/8 | 4 | 3/4 | 6 | 7-1/2 | 25/32 | 86 | 65 | 56 | 48 |
| 4 | 27 | 16-7/8 | 13 | 9-1/2 | 24 | 5/8 | 8 | 3/4 | 7-1/2 | 9 | 25/32 | 128 | 102 | 90 | 65 |
| 5 | 33 | 20-3/8 | 15 | 11 | 30 | 11/16 | 8 | 7/8 | 8-1/2 | 10-1/2 | 1 | 219 | 165 | 120 | 80 |
| 6 | 39 | 23-3/4 | 18 | 12-5/8 | 36 | 11/16 | 8 | 7/8 | 9-1/2 | 11-1/4 | 7/8 | 298 | 225 | 185 | 120 |
| 8 | 51 | 30-3/4 | 23 | 15-7/8 | 48 | 3/4 | 8 | 7/8 | 11-3/4 | 13-1/2 | 1-1/8 | 515 | 375 | 305 | 210 |
| 10 | 63 | 37-5/8 | 28 | 19 | 60 | 13/16 | 12 | 1 | 14-1/4 | 16 | 1 | 754 | 520 | 404 | 285 |

Copyright 1998 Bush & Wilton, Inc. - All Rights Reserved

BUSH & WILTON, INC.

P.O. Box 691385 | Charlotte, NC 28227- 7024

Tel: 704.573.6858 | Fax: 704.573.6802

mail@bushandwilton.com

http://www.bushandwilton.com