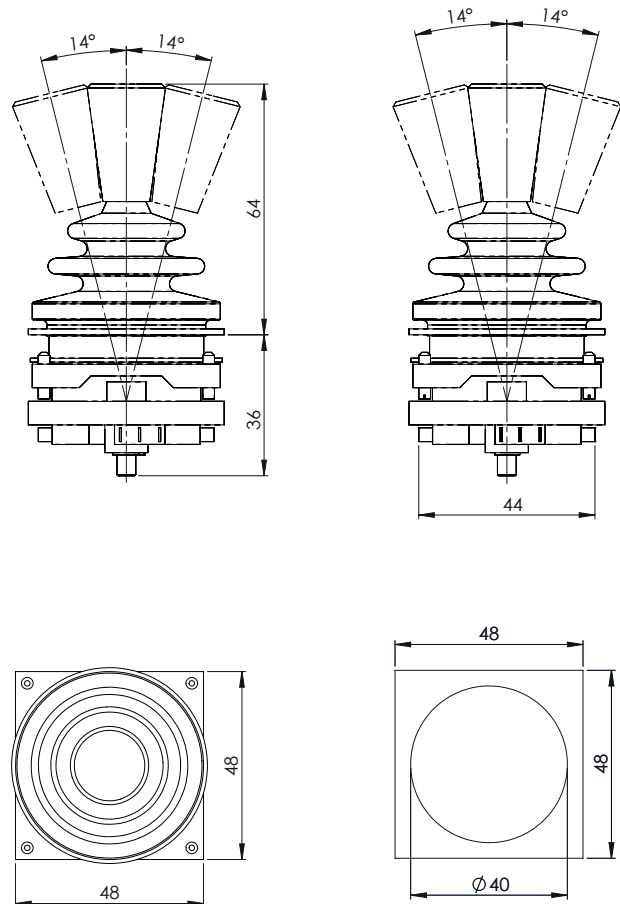
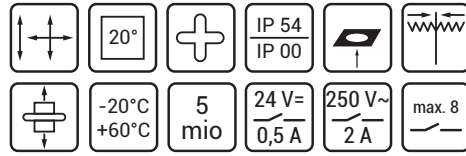


MON-WK

Small installation depth.

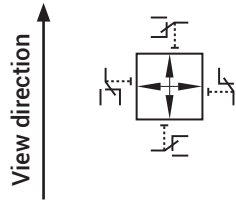
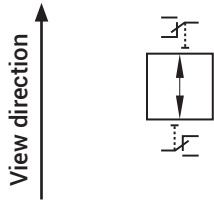


Due to its small size the joystick MON-WK is ideal for installation in casings with limited mounting depth. Despite its compact design it comes with a 1- or 2-axis version with spring return. Its body, made of durable plastic, serves as a carrier for the microswitches with snap characteristic and two way contact. For each switching direction a microswitch with changeover contact is available. The contact system switches DC voltages / DC currents just as reliably as AC voltages.

The hollow lever, made of metal for reasons of stability, allows the construction of a handle with pushbutton. For applications with specific switching functions the joystick can be equipped with a cross or special gate. As a control switch for auxiliary functions it is, due to its low weight, ideally suited for installation in portable consoles as well as in fixed stations.

Drive E

Drive V



MON 5 ER WK

Basic price
130,00 €

MON 5 VR WK.WK

Basic price
142,00 €

Scope of supply, type code

Scope of supply MON-WK:

- Handle G49 (without inserts)
- Rubber boot 50 mm
- Spring return
- Microswitch with soldered connection

Handles:

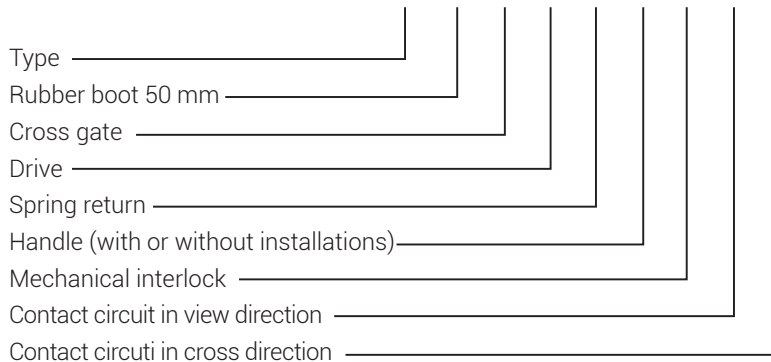
Fitting in handle

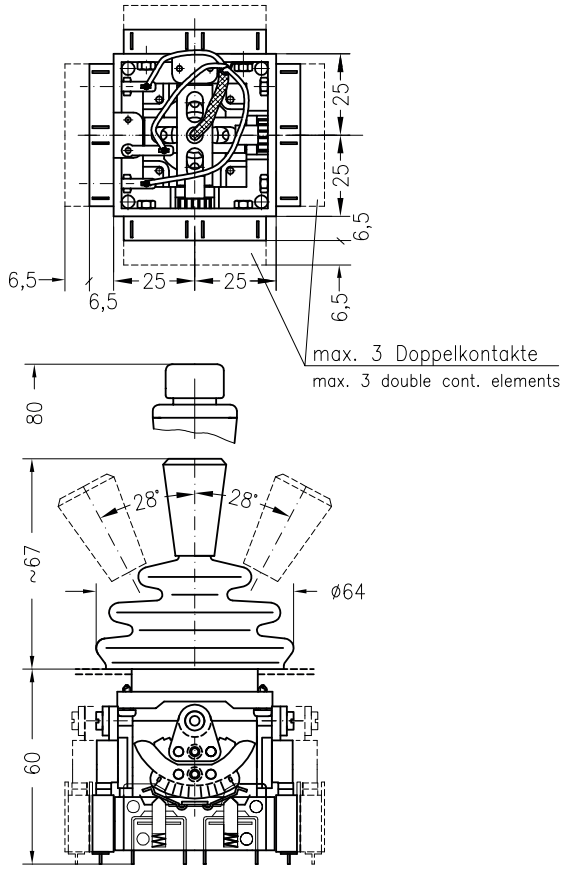
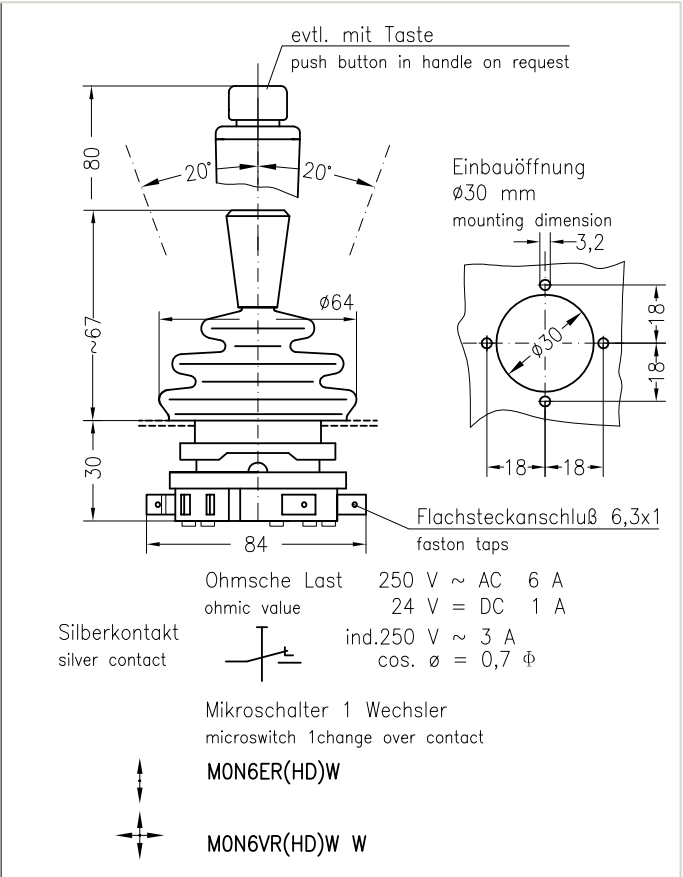
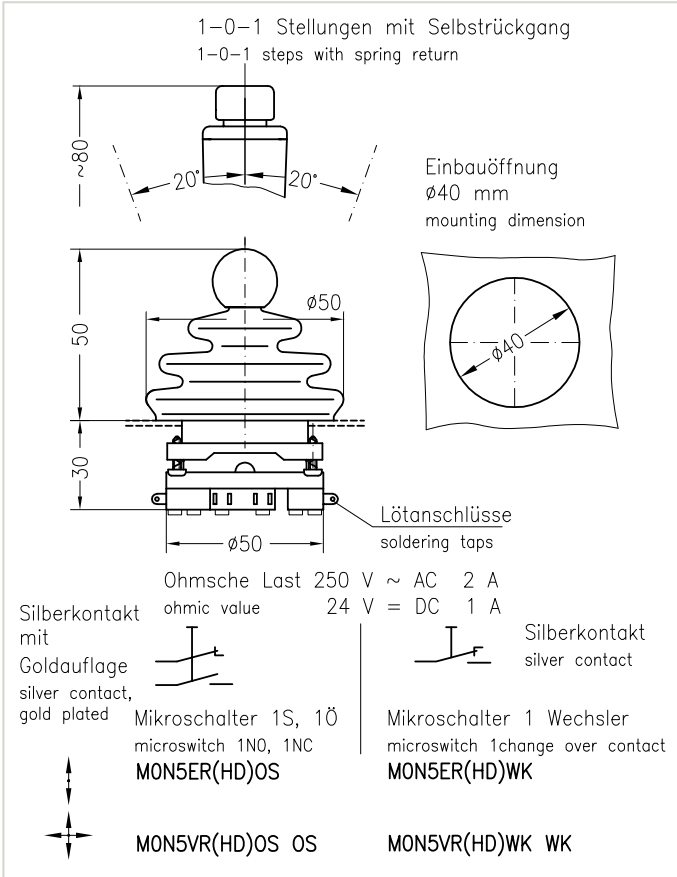
see sheet G-M054

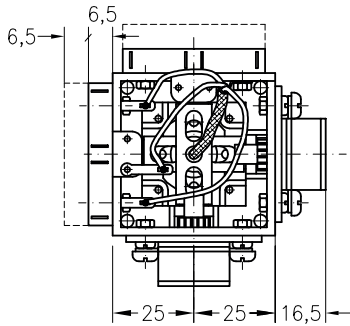
- Cross gate KK
- Mechanical interlock Z
- Ball handle KG
- Wiring to connection cable or plug

Type code:

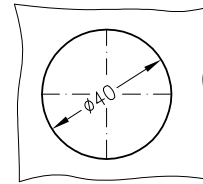
MON 5 KK V R HDU Z WK.WK
E HDS G49





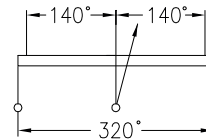


Einbauöffnung
 ø40 mm
 mounting dimension



evtl. mit Impedanzwandler 4–20 mA
 potentiometer – conductiv plastic

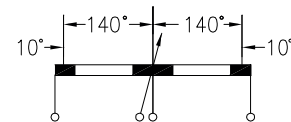
Potentiometer ohne Mittelanzapfung
 potentiometer without centre tap



Leitplastik
 conductivplastic
 1 kOhm Typ : B1
 5 kOhm : B5
 10 kOhm : B10

Achtung Schleiferbelastung max. 1 mA
 warning: wiper current max. 1 mA

Potentiometer mit Mittelanzapfung und Kurzschlußstrecken
 potentiometer with centre tap and short circuit path

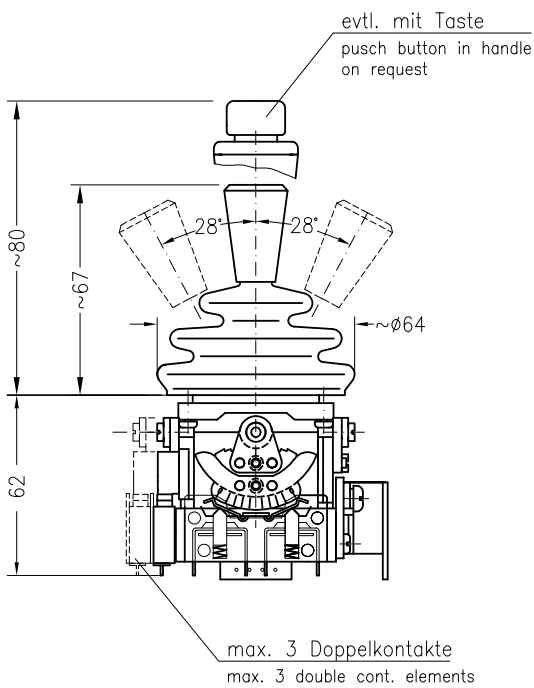


Leitplastik
 conductiv plastic
 5–0–5 kOhm Typ: B55
 10–0–10 kOhm Typ: B1010

Achtung: Schleiferbelastung max. 1 mA
 warning: wiper current max. 1 mA

Drahtgewickelte Potentiometer – 2 Watt
 potentiometer wire wound – 2 Watt
 PD 200 1–0–1 kOhm
 5–0–5 kOhm
 10–0–10 kOhm

Andere Potentiometer und Ohmwerte,
 bzw. Spannungs- oder Stromausgang
 auf Anfrage
 other potentiometer or ohmic value
 on request



Typ: SMON6ER--B
 GMON6ER--B

Gewicht: 0,16 kg
 weight: 0,16 kg

Schaltung
 circuit

Potentiometertyp
 potentiometertype



SMON6VR--B--B--
 GMON6VR--B--B--

Gewicht: 0,2 kg
 weight: 0,2 kg