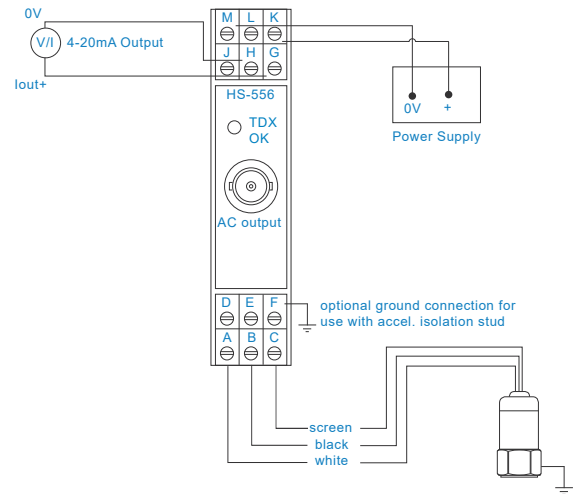


HS-556 Vibration Module

4-20mA output

Key Features

- Industrial Accelerometer input
- 4-20mA Velocity or 'g' output
- TDX OK Function
- Low pass filter
- Din Rail Mounted
- Buffered Accelerometer output (for data collection) via BNC



Technical Performance

| | |
|--------------------------------------|---|
| Input | 100 mV/g constant current accelerometer (other sensitivities available) |
| Acceleration Range or Velocity Range | To be specified |
| Frequency Range | To be specified |
| Filters | Velocity version: 10 Hz to 1 kHz (-3dB) 2-pole Butterworth 'g' version: 10 Hz to 5 kHz (-3dB) 2-pole Butterworth |

Mechanical

| | |
|----------------|--|
| Case Material | Plastic |
| Mounting | DIN Rail TS35 (Top Hat) |
| Dimensions | 120 x 75 x 23 mm (HxDxW) including BNC |
| Connections | Screw Clamp |
| Conductor Size | 0.5 to 4.0 mm |
| Weight | 80 gms (nom) |

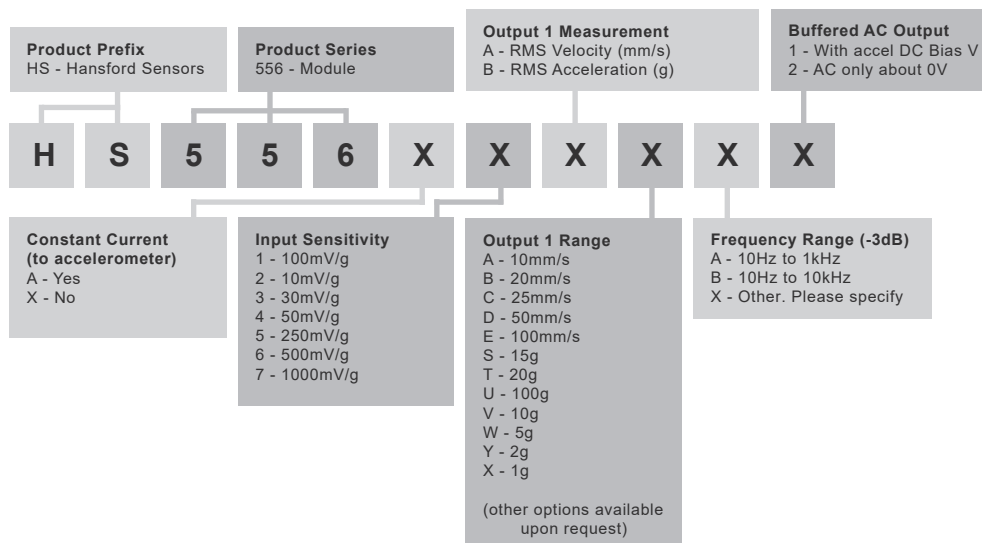
Electrical

| | |
|-------------|--|
| Power Input | 24 V DC @ 50 mA (from HS-570 Power Supply Module) |
| Output 1 | Velocity version: 4-20 mA = 0-25 mm/s rms 'g' version: 4-20 mA = 0-5 g rms Max. load resistance = 500 Ohms |
| Output 2 | Buffered accel. Output with DC bias voltage (nom 12 VDC) AC only about 0 V on request |
| TDX OK | Indicates correct bias voltage |

Environmental

| | |
|--------------------------------|----------------|
| Operating Temperature Range | 0 to 55 °C |
| Installation Category (IEC664) | II |
| Equipment Class (IEC536) | III |
| EMC | EN61326-1:2013 |

How To Order



www.hansfordsensors.com
sales@hansfordsensors.com

We reserve the right to alter the specification of this product without prior notice

TS069.12

