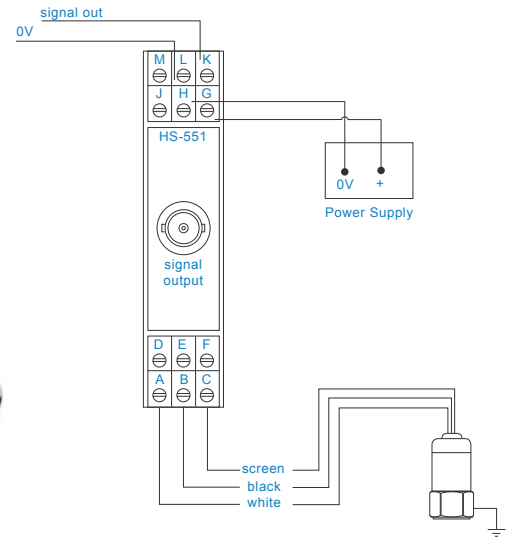


HS-551 Vibration Module

Power Supply

Key Features

- Provides power for constant current accelerometers
- TDX OK Indicator
- AC mV/g output via BNC for data collection and analysis



Technical Performance

Power Input	24 VDC $\pm 10\%$ @ 5 mA max.
Accelerometer Driving Voltage	22.5 VDC
Accelerometer Constant Current	3.5 mA
Frequency Response	1 Hz to 100 kHz $\pm 3\text{db}$

Mechanical

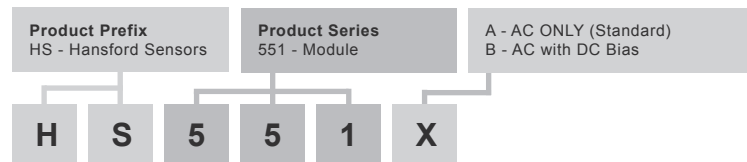
Operating Temperature Range	0 to 55 °C
EMC	EN61326-1:2013
Installation Category (IEC664)	II
Equipment Class (IEC536)	III

Electrical

Outputs	mV AC (0V DC bias) or mV AC with DC bias via screw terminals and BNC.
Sensitivity	Nom. 100 mV/g or as stated on the Accelerometer Calibration Sheet

Environmental

Case Material	Plastic
Mounting	DIN Rail TS35 (Top Hat)
Dimensions	100 x 75 x 24 mm (HxDxW) including BNC
Connections	Screw Clamp
Conductor Size	0.5 to 4.0 mm
Weight	76 gms (nom)



www.hansfordsensors.com
sales@hansfordsensors.com

We reserve the right to alter the specification of this product without prior notice

TS055.9

