

5000B

LOAD MEASURING WEDGE SOCKETS

Load measuring wedge sockets designed to measure the force applied on a cable end.



Model 5000B - 8 t



Features

- o CE certified for hoisting applications
- o Sturdy design
- o Load pin material: stainless steel
- o Protection class: IP65
- o Easy to install
- o Cable length: 6 m (other lengths available on request)
- o Complete range of CE certified electronics and load limiters

Most popular options



Ex i



IP67 MARINE

Application(s) SENSY's load pins 5000B are perfectly designed for the following applications:

SL - HOIST: Hoisting devices and crane's security in combination with load limitation electronics.

Capacities

5000B: from 0.3 to 20 t (for cables of 9 to 39 mm in diameter)

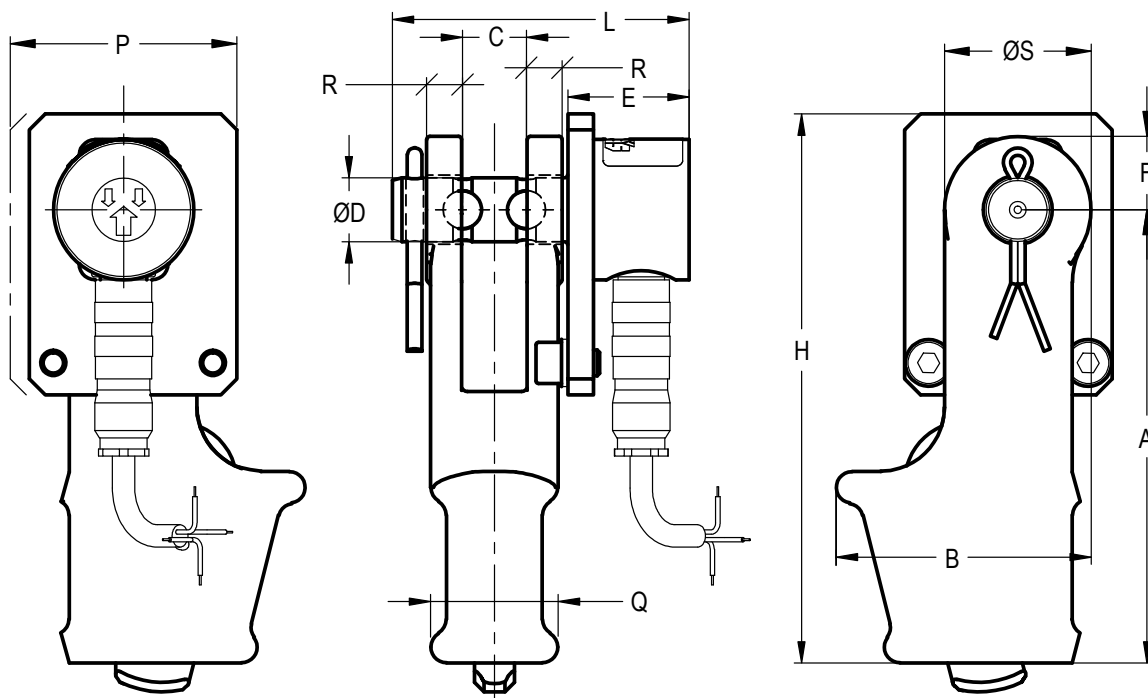
Specifications	SL - HOIST	
Combined error (non-linearity + hysteresis)	0.5 - 2**	% F.S.*
Repeatability error	<± 0.25	% F.S.*
Creep error over 30 min.	<± 0.3	% F.S.*
Zero shift after loading	<± 0.5	% F.S.*
Reference temperature	23	°C
Compensated temperature range	-10...+45	°C
Service temperature range	-25...+70	°C
Storage temperature range	-50...+85	°C
Temperature coefficient of the sensitivity	<± 0.2	% F.S.* / 10°C
Temperature coefficient of zero signal	<± 0.2	% F.S.* / 10°C
Zero balance	± 0.02	mVV
Nominal sensitivity	± 1	mVV
Input resistance	350 ± 2	ohm(s)
Output resistance	350 ± 2	ohm(s)
Insulation resistance (50 V)	> 5000	Mohm(s)
Reference excitation voltage	10	VDC
Permissible nominal range of excitation voltage	3...12	VDC
Safe load limit	200	% F.S.*
Breaking load	> 500	% F.S.*
Permissible dynamic loading	75	% F.S.*
Static lateral force limit	150	% F.S.*

* F.S. : Full Scale.

** Typical range of accuracy, depending on design and dimensions.

Specifications subject to change without notice.

5000B > STANDARD DIMENSIONS

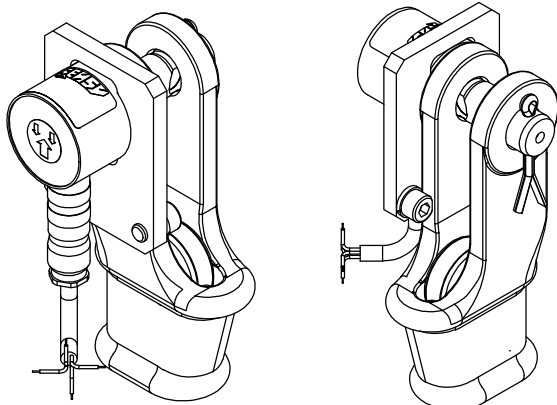


Ref. Item	Capacities	Size (Ø of cable)		A	B	C	ØD h9	E±	F	H	L±	P±	Q	R	ØS±	Weight (kg)
		(mm)	(inch)													
5000B-3/8"	0.3 - 2 t	9 - 10	3/8"	142±2.5	80±2.5	20.5±2	20	38	23±2	172±2.5	93	71	40±2	11±2	48	±1.8
5000B-1/2"	0.5 - 3 t	11 - 13	1/2"	146±2.5	109±2.5	25±2	25	53	29±2	175±3	114	80	46±2	12±2	59	±3.4
5000B-5/8"	0.75 - 5 t	14 - 16	5/8"	176±3	127±2.5	31±2	30	38	35±2	211±3	114	97	57±2	15±2	73	±6
5000B-3/4"	1 - 6 t	18 - 19	3/4"	212±3	154±2.5	38±2	35	60	40±2	252±3.5	142	120	67±2.5	16±2	83	±9.5
5000B-7/8"	1.5 - 8 t	20 - 22	7/8"	240±3	175±3	44±2	41	52	48±2	288±3.5	149	130	77±2.5	19±2	98	±13
5000B-1"	4 - 12.5 t	24 - 26	1"	274±3.5	198±3	51±2	50	52	55±2	329±3.5	165	145	89±2.5	22±2	113	±17
5000B-1" 1/8	5 - 16 t	27 - 29	1" 1/8	310±3.5	215±3	57±2	57	52	65±2.5	375±3.5	182	150	100±2.5	25±2	133	±23
5000B-1" 1/4	8 - 20 t	30 - 32	1" 1/4	350±3.5	246±3	63±2	64	52	73±2.5	423±4	191	190	111±2.5	28±2	149	±32
5000B-1" 3/8	8 - 20 t	34 - 36	1" 3/8	400±3.5	264±3.5	69±2.5	64	52	74±2.5	474±4	196	190	117±2.5	28±2	151	±37
5000B-1" 1/2	10 - 20 t	35 - 39	1" 1/2	450±4	280±3.5	76±2.5	70	52	77±2.5	527±4	208	190	128±2.5	30±2	156	±52

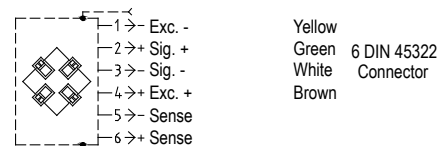
→ Other capacities and dimensions available on request

Dimensions in mm

Other views



Wiring



Load direction

