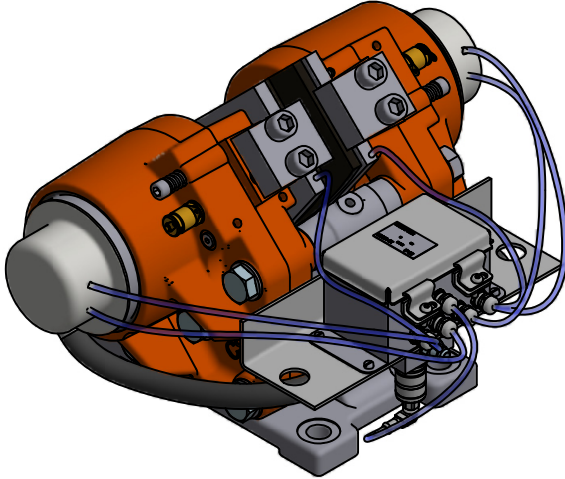


Inventor Drawing

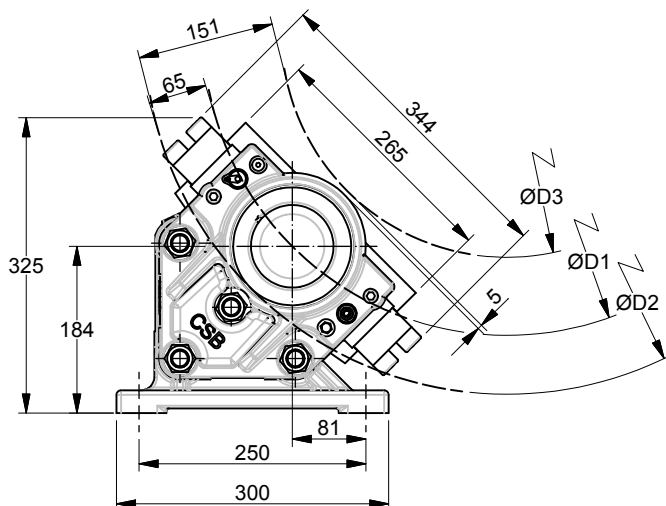
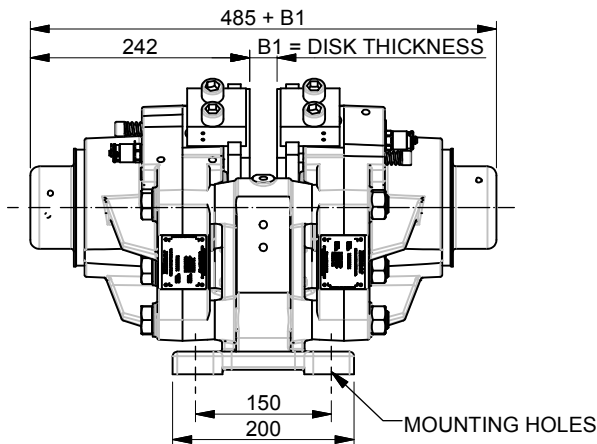


| FEATURE | CODE |
|---------------------------------|-------|
| Industrial disc brake | DBCBS |
| Series | CSB |
| Brake size | 340 |
| Foot mount | FM |
| Nominal braking force F_B (N) | 32000 |

Example for ordering **DBCBS-CSBFM-340-32000**

TECHNICAL DATA

| | | |
|---|-------------------------------------|---|
| Clamping force (N) (F_c) | 80000 | |
| Braking force static @ $\mu=0.5$ (N) (F_B) | 40000 | |
| Braking force dynamic @ $\mu=0.4$ (N) (F_B) | 32000 | |
| Loss of force pre 1mm of pad wear (%) | 4 | |
| Maximum wear of each brake pad (mm) | Sintered | 9 |
| | Organic | 9 |
| Disc thickness B_1 (mm) | 20 - 40 | |
| Theoretical friction diameter | $\varnothing D_1$ | |
| Disc diameter | $\varnothing D_2$ | |
| Maximum coupling hub diameter | $\varnothing D_3$ | |
| Brake pad width (m) | 0,13 | |
| Nominal air gap | 1 mm / side | |
| Braking torque (Nm) (M_B) | $M_B = F_B \times (D_2 - 0.13) / 2$ | |
| Operating pressure (bar) | 59 | |
| Maximum pressure (bar) | 66 | |
| Oil volume (CC) to release 1mm/half | 8,25 | |
| Pressure port connection (2 ports) T1 | 1/4" BSPP | |
| Temperature range (°C) | -20 to +70 | |
| Standard paint PASTEL ORANGE | RAL #2003 | |
| Mounting holes (brake) | 4 x $\varnothing 21$ | |
| Mounting bolts | 4 x M20 CL 10.9 | |
| Tightening torque | 610 | |
| Weight of brake (2 halves) (kg) | 100 | |



NOMINAL SPECIFICATION

Actual torque may vary depending on adjustment of brake and coefficient of friction. Brake supplied standard with organic linings.

Bearing and structure loads must be checked due to unbalanced brake loads.

NOTES

All figures are nominal figures only

All dimensions are in millimeters

** ALL TECHNICAL DATA IS SUBJECT TO CHANGE WITHOUT NOTICE **

Hillmar works have a fully registered ISO 9001-2008 quality assurance programme (QCB #01-1525)

Document Template #710-101-62058

C:\TEMP\6ba16fbf-e64ec-4ab6-bc32-67de401a849b\80000525732\HILLMAR\HILLMAR PRODUCTION\08 INDUSTRIAL DBI0700-8\07008001 DBCBS-CSBFM-340-32000.dwg