

# Hillmar

Hillmar Industries Ltd.

7371 Vantage Way  
Delta, BC V4G 1C9  
P:604 946-7115 F:604 946-0329  
info@hillmar.com www.hillmar.com

## INDUSTRIAL DBCB-FM DBCB-CSBFM-202-1600 SPECIFICATION SHEET SLS & MKTG ENGLISH

Sheet Number:

Job Number:

Form Number:  
829-723-47073PT

Company / Project Reference:

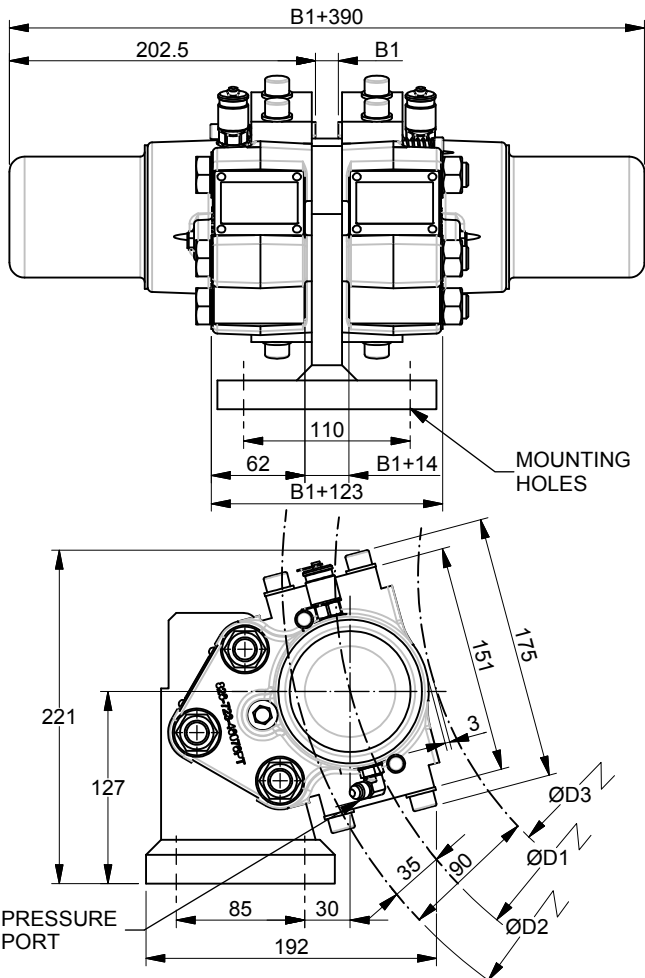
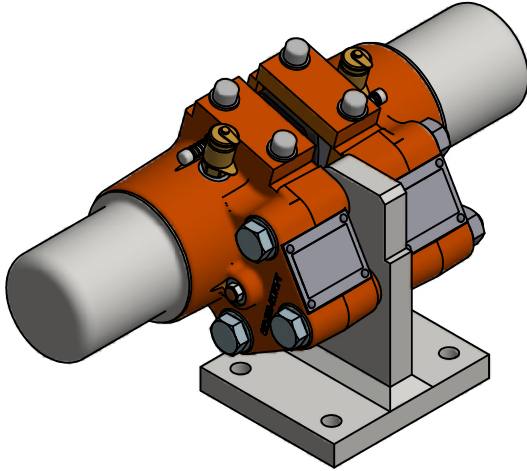
Date.:

Page.:

1 OF 1

Document Package No.: Rev.:

Inventor Drawing



| FEATURE                         | CODE  |
|---------------------------------|-------|
| Industrial disc brake           | DBCB  |
| Series                          | CSB   |
| Brake size                      | 202   |
| Foot mount                      | FM    |
| Nominal braking force $F_B$ (N) | 01600 |

|                             |                             |
|-----------------------------|-----------------------------|
| <b>Example for ordering</b> | <b>DBCB-CSBFM-202-01600</b> |
|-----------------------------|-----------------------------|

### TECHNICAL DATA

|   |                                    |     |
|---|------------------------------------|-----|
| Clamping force (N) ( $F_c$ )                    | 4000                               |     |
| Braking force static $\mu=0.5$ (N) ( $F_B$ )    | 2000                               |     |
| Braking force dynamic @ $\mu=0.4$ (N) ( $F_B$ ) | 1600                               |     |
| Loss of force pre 1mm of pad wear (%)           | 6.6                                |     |
| Maximum wear of each brake pad (mm)             | Sintered                           | 6.5 |
|   | Organic                            | 6.5 |
| Disc thickness B1 (mm)                          | 15 - 30                            |     |
| Theoretical friction diameter                   | $\text{ØD1}$                       |     |
| Disc diameter                                   | $\text{ØD2}$                       |     |
| Maximum coupling hub diameter                   | $\text{ØD3}$                       |     |
| Brake pad width (m)                             | 0.06                               |     |
| Nominal air gap                                 | 1 mm / side                        |     |
| Braking torque (Nm) ( $M_B$ )                   | $M_B = F_B \times (D2 - 0.09) / 2$ |     |
| Operating pressure (bar)                        | 29                                 |     |
| Maximum pressure (bar)                          | 34                                 |     |
| Oil volume (CC) to release 1mm/half             | 1.34                               |     |
| Pressure port connection (2 ports) T1           | -4 37° JIC                         |     |
| Temperature range (°C)                          | -20 to +70                         |     |
| Standard paint PASTEL ORANGE                    | RAL #2003                          |     |
| Mounting holes (braket)                         | 4 x $\text{Ø13.5}$                 |     |
| Mounting bolts                                  | 4 x M12 CL 10.9                    |     |
| Bolt tightening torque                          | 300                                |     |
| Weight of brake (2 halves) (kg)                 | 45                                 |     |

### NOMINAL SPECIFICATION

Actual torque may vary depending on adjustment of brake and coefficient of friction. Brake supplied standard with organic linings.

Bearing and structure loads must be checked due to unbalanced brake loads.

### NOTES

All figures are nominal figures only

All dimensions are in millimeters

\*\* ALL TECHNICAL DATA IS SUBJECT TO CHANGE WITHOUT NOTICE \*\*

Hillmar works have a fully registered ISO 9001-2008 quality assurance programme (QCB #01-1525)

Document Template #710-101-62058