



Mini & TWP Stainless Bag Filters

1 - 1000 micron / 2 - 150 m³/h

HiFlux Mini and TWP Bag Filters are used where there is a need for reliable fine filtration from 1 micron with a large dirt capacity. The filter housings are designed for a working pressure of 10 bar (Mini 8.5 bar) and equipped with a simple and secure closing system which makes it quick to change filter bags, thereby maximising the time the filters are in operation.

A compact design and a maximum built-in filter surface ensure the best possible flow and consequently a small differential pressure, long intervals between bag changes and lower energy consumption.

The filter consists of three main elements

1. Filter housing which is designed in accordance with current pressure vessel norms and supplied in stainless acid-proof SUS316 steel (Mini EN 1.4404).
2. The support strainer which gives the filter bag mechanical strength and ensures that the bag can resist a differential pressure of up to 1 bar. The support strainer is made of stainless acid-proof SUS316 steel to ensure durability.
3. The filter bag is supplied in several material types and degrees of filtration. A special design in terms of stitching and choice of thread provides a robust filter bag without perforations. The filter material is selected after careful determination of the degree of filtration and maximum dirt capacity (see also data sheet for filter bags).

Filters of the TWP type can be supplied with the effective HiFlux magnetic system for retention of magnetic particles.

Products often filtered with bag filters

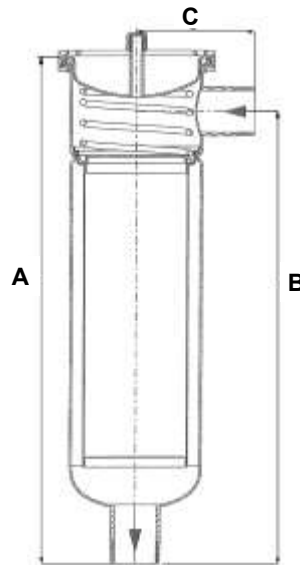
District heating water	Cooling water	Cleaning fluids
Photographic chemicals	Varnish	Cutting oils and emulsions
Galvanic baths	Glue	Waste water
Juice	Paint	Sugar solutions
Chemicals	Condensate	Vegetable oils
Cosmetic fluids	Process water	etc.

For other options see also **HiFlux TP** and **HiFlux Micro-Line filters**.





Mini Stainless Bag Filters



Type	A	B	C	No.	Filterbags		Air vent.	Connection	Fittings
	mm	mm	mm		type	cm ² /each	plug		type
Mini-1	330	282	115	1	0	650	Rp 1/4"	Rp 1	Vee clamp
Mini-2	490	441	115	1	X0	900	Rp 1/4"	Rp 1 1/2	Vee clamp

HiFlux standard bag filters type Mini are supplied in stainless acid-proof EN 1.4404 steel. The surface is electropolished on the inside and outside.

Design pressure: 8,5 bar
 Test pressure: 12,2 bar
 Max. differential pressure: 1,0 bar
 Max. working temperature: 100 °C
 Connection: Thread EN 10226
 Filter bags: See data sheet for filter bags
 Polypropylene: 1-5-10-25-50-100-200 micron (max. 90° C)
 Polyester: 1-5-10-25-50-75-100-150-200-300 micron (max. 150° C)

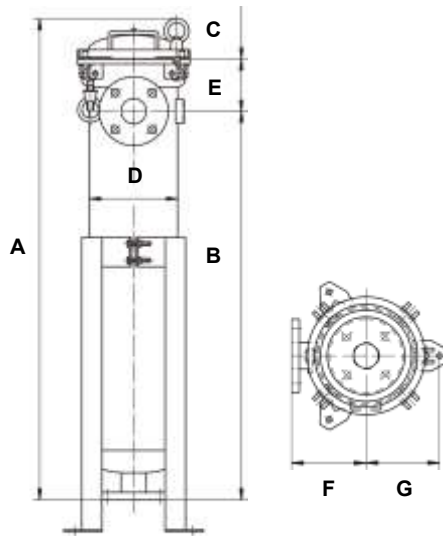
Capacity:
(at a viscosity of 1 cSt
and 5 micron filtration)

Type	Area cm ²	Capacity in m ³ /h at differential pressure				
		0,05 bar	0,10* bar	0,15 bar	0,2 bar	0,3 bar
Mini-1	650	1,5	2	2,4	2,8	3,5
Mini-2	900	3	5	6	7	8,8

* It is recommended that the filter installation is dimensioned on the basis of a differential pressure of 0.1 bar.



TWP Stainless Bag Filters



Type	A mm	B mm	C mm	D mm	E mm	F mm	G mm	Filter bag		Air vent. plug	Connection	Fittings no.	
								no.	type cm ² /each				
TWP-1000	640	455	300	139,8	100	135	130	1	1	1000	1/4" NPT	DN50	3
TWP-2050	780	550	350	210	125	168	166	1	1	2050	1/4" NPT	DN50	4
TWP-4250	1130	910	800	210	125	147	166	1	2	4250	1/4" NPT	Rp 2	4
TWP-4250	1160	930	800	210	125	168	166	1	2	4250	1/4" NPT	DN50	4
TWP-4250	1160	930	800	210	125	168	166	1	2	4250	1/4" NPT	DN80	4
TWP-6300	1605	1375	1250	210	125	168	166	1	3	6300	1/4" NPT	DN80	4
TWP-6300	1605	1355	1250	210	145	200	166	1	3	6300	1/4" NPT	DN100	4

HiFlux standard bag filters type TWP are supplied in stainless acid-proof SUS316 steel. The surface is electropolished on the inside and outside.

Design pressure: 10 bar
 Test pressure: 15 bar
 Max. differential pressure: 1,0 bar
 Max. working temperature: 100 °C
 Connection: Thread EN 10226, flange EN 1092-1/01
 Gasket: EPDM
 Filter bags: See data sheet for filter bags
 Polypropylene: 1-5-10-25-50-100-200 micron (max. 90° C)
 Polyester: 1-5-10-25-50-75-100-150-200-300 micron (max. 150° C)

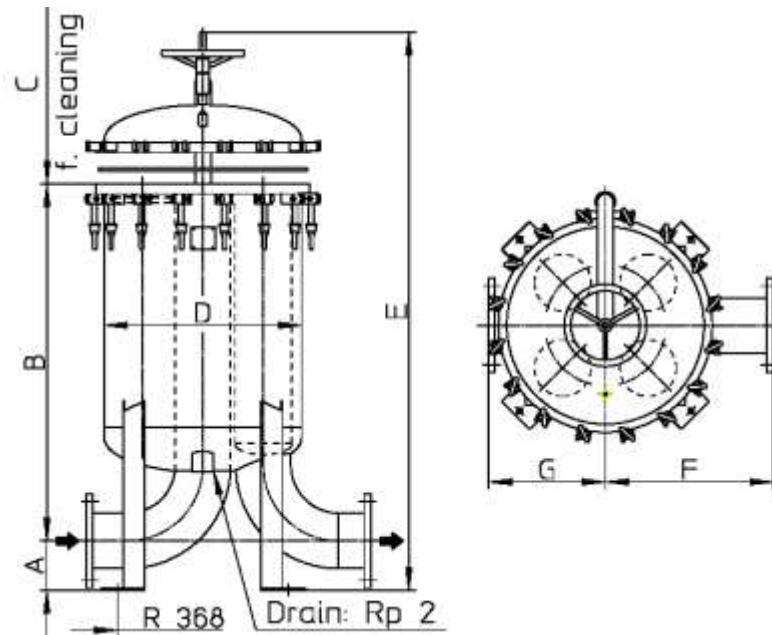
Capacity:
 (at a viscosity of 1 cSt
 and 5 micron filtration)

Type	Connection	Area cm ²	Capacity in m ³ /h at differential pressure				
			0,05 bar	0,10* bar	0,15 bar	0,2 bar	0,3 bar
TWP-1000	DN50	1000	2,5	4	5	6	7
TWP-2050	DN50	2050	10	15	18	21	26
TWP-4250	DN80	4250	16	25	30	35	42
TWP-6300	DN100	6300	30	40	48	55	69

* It is recommended that the filter installation shall be dimensioned on the basis of a differential pressure of 0.1 bar.



TWP4 Stainless Bag Filters



Type	A	B	C	D	E	F	G	Filter bags no.	Filter bags type	Filter bags cm ² /stk.	Air vent. plug	Connection	Fittings
	mm	mm	mm	mm	mm	mm	mm						
TWP4x4250	150	1085	750	600	1635	510	355	4	2	4250	R 1/2	DN150	16
TWP4x6300	180	1600	1150	600	2180	470	470	4	3	6300	R 1/2	DN200	16

HiFlux standard bag filters type TWP4 are supplied in stainless acid-proof SUS316 steel. The surface is electropolished on the inside and outside.

- Design pressure: 10 bar
- Test pressure: 15 bar
- Max. differential pressure: 1,0 bar
- Max. working temperature: 100° C
- Connection: Flange EN 1092-1/01
- Packing: EPDM
- Filter bags: See data sheet for filter bags
- Polypropylene: 1-5-10-25-50-100-200 micron (max. 90° C)
- Polyester: 1-5-10-25-50-75-100-150-200-300 micron (max. 150° C)

Capacity:
(at a viscosity of 1 cSt
and 5 micron filtration)

Capacity in m³/h at differential pressure

Type	Area cm ²	0,05 bar	0,10* bar	0,15 bar	0,2 bar	0,3 bar
TWP4x4250	17000	75	100	122	140	172
TWP4x6300	25200	112	150	180	210	260

* It is recommended that the filter installation shall be dimensioned on the basis of a differential pressure of 0.1 bar.