

JAW FLEX COUPLINGS

TYPE H / HR



Special Features

Individual free floating load cushions held in place by outside steel collar.

Completely machined castings.

Easy to assemble & disassemble.

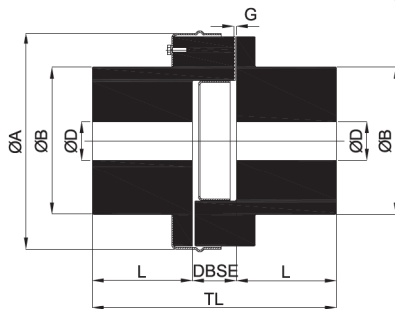
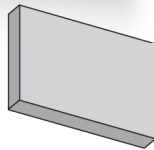
Cushions easily inspected at all times.

Material of construction - S.G. Iron

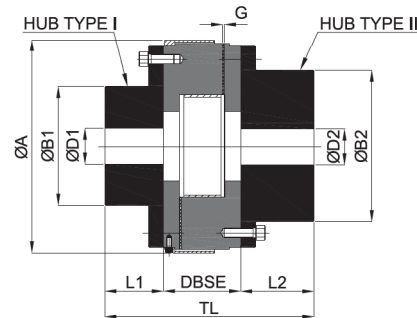
Applications

For pumps in chemical industry, ideal for reciprocating pumps, diesel or gas engines, multiple generator sets and such heavy duty applications.

Load Cushion -
(Synthetic / PU /
H - Trans for H,HR)



TYPE H



TYPE HR

'H' TECHNICAL DATA

Coupling Size	kW at 100 rpm			Gap G	Bore (ØD)		Outside Dia. ØA	Hub Dia. ØB	Length thru' Bore L	DBSE	Overall Length TL	Approx. weight in kg	
	Synthetic Rubber	PU	H-Trans		Min.	Max.						Min. Bore	Max. Bore
H-357	75	112	187	3	60	115	288	197	127	60	314	73	67
H-367	104	156	260	3	70	130	313	222	143	67	353	105	99

'HR' TECHNICAL DATA

Coupling Size	KW at 100 rpm			Gap G	Type I Bore (ØD1)		Type II Bore (ØD2)		Outside Dia. ØA	Hub Diameter		Length thru Bore		DBSE	Overall Length TL
	Synthetic Rubber	PU	H-Trans		Min.	Max.	Min.	Max.		ØB1	ØB2	L1	L2		
HR-357	75	112	187	3	35	85	60	115	292	138	180	76	95	110	281
HR-367	104	156	260	3	40	100	70	130	317	162	210	84	105	117	306
HR-407	-	223	372	3	50	120	85	155	349	195	248	95	120	126	341
HR-457	-	302	502	3	60	140	85	185	400	220	294	100	130	134	364
HR-509	-	358	597	6	70	145	90	190	412	230	305	110	140	133	383
HR-609	-	527	877	6	85	170	100	225	461	275	360	130	170	142	442
HR-709	-	738	1230	6	90	190	100	265	524	300	425	140	195	162	497
HR-809	-	-	1530	6	100	215	120	295	592	345	470	155	210	196	561
HR-911	-	-	1770	6	100	265	170	340	661	420	545	190	240	216	646

- All dimensions are in mm.
- Maintain Gap 'G' = 3mm for size HR-307 to HR-457 & 6mm for higher size at the time of assembly.
- Please specify hub type required.
- Non std. DBSE spacer available on request.
- For vertical installation contact RATHI.
- Consult RATHI for Max Bore with Square Key.