



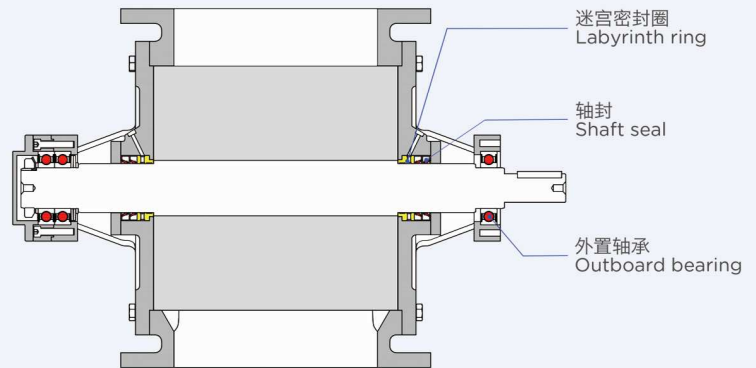
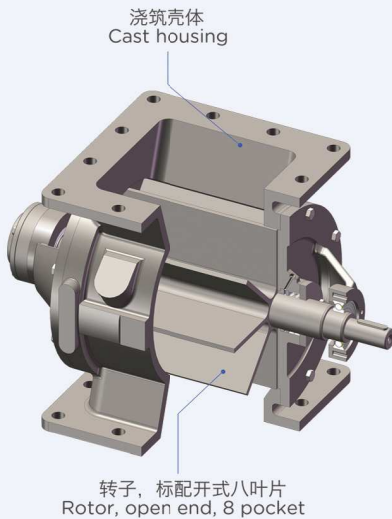
应用于粉料的计量卸料和锁气旋转阀

重型旋转阀适用于气力输送系统，用于定量输送并能很好地控制空气泄漏量，适用于各种粉末物料，在真空和压力环境都有不错的表现。带排料适配器/喂料筒，可将散料喂入气力输送系统，也可用于无排气口的情况下运行。

DISCHARGING AND METERING VALVE FOR POWDERS

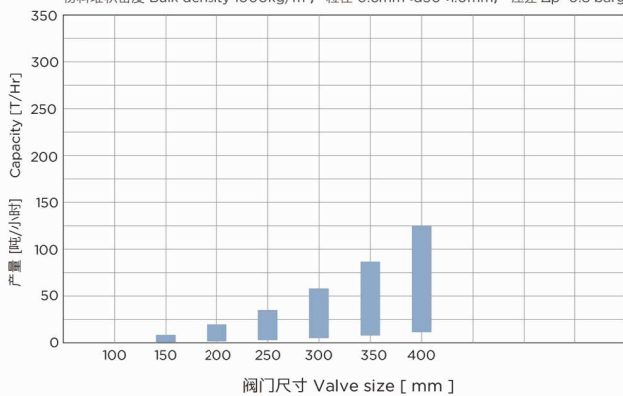
Heavy duty rotary valves are designed for general use on pneumatic conveying systems for both metering and airlock duties, suitable for both vacuum and pressure application on a wide variety of powders and granules, with feeding shoe also suitable for feeding material into pneumatic conveying systems, operation possible without leakage gas venting.

结构 STRUCTURES



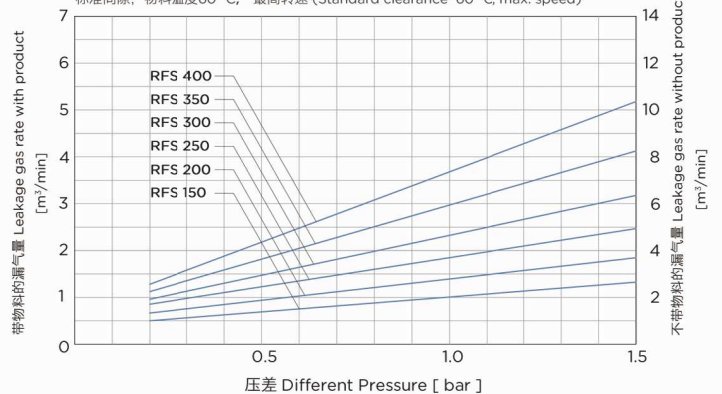
性能参考曲线 Performance diagram

物料堆积密度 Bulk density 1000kg/m³, 粒径 0.6mm<d50<1.0mm, 压差 Δp=0.8 barg



漏气量参考曲线 Leakage gas Diagram

标准间隙，物料温度60 °C，最高转速 (Standard clearance 60 °C, max. speed)



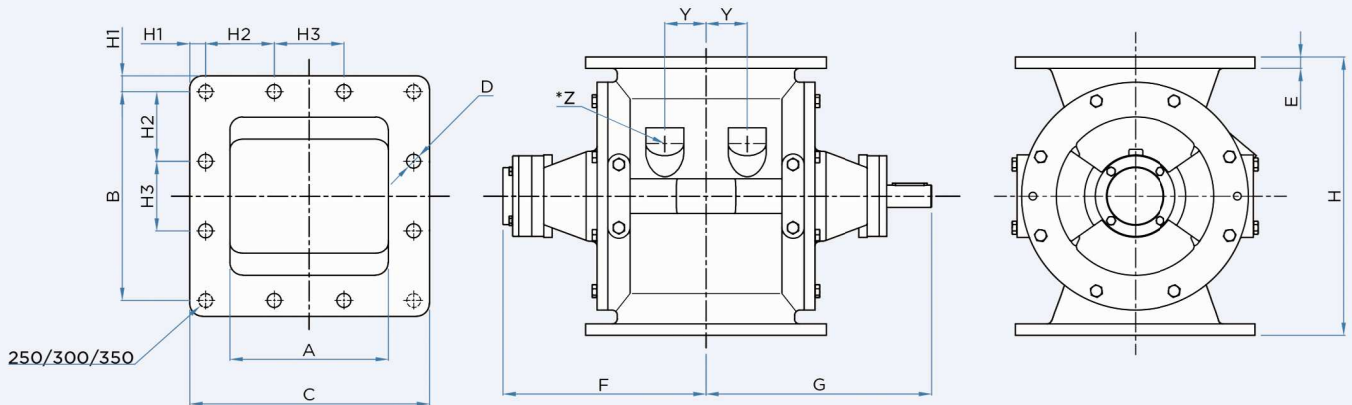
特点 FEATURES

- 材质为不锈钢304
Standard valve manufactured in SS304
- 良好的间隙控制让阀门具有很高的输送效率
Close vane tolerances ensure high feeding efficiency
- 标配外置轴承
Outboard bearing are standard
- 在不超过250°C的高温下依然有良好的工作表现
High temperature execution up to 250°C
- 工作压力不超过1.5bar (21PSI)
Pressure difference up to 1.5 bar (21PSI)
- 标配开式8叶片
Open ended rotor with 8 vans

选配 OPTIONS

- 叶片可选6叶片, 10叶片, 12叶片
6 van, 10 van or 12 van rotor
- 转子类型: 闭式转子, 圆齿型转子, 小圆底转子, 可调、可换转子
Rotor design: close end, radius pocket and adjustable-tip
- 壳体内部电镀铬硬化处理, 内衬碳化物耐磨层
Interior coatings: hard chrome, tungsten, and Teflon
- 轴封根据需要, 采用气封或迷宫密封环
Air purge shaft sealing
- 壳体排气孔
Valve housing leakage gas venting
- 配件: 物料加速室, 接近开关, 排气仓, 气体吹扫系统
Accessories: Drop-out box, speed monitor, vent box

尺寸 DIMENSIONS



技术参数 PRAMETERS

型号 Model	容积 Ltr/Rev	进料口/出口口尺寸 Inlet*/Outlet							其它尺寸 Other Dimensions					
		A	B	C	D	H1	H2	H3	E	H	F	G	Y	*Z
RFS 150	4	150	220	260	8×Ø22	60	140	—	15	320	245	265	37.5	1"
RFS 200	10	200	280	320	8×Ø22	80	160	—	15	380	275	305	55	1¼"
RFS 250	18	250	330	380	12×Ø22	25	110	110	18	440	322	355	65	1½"
RFS 300	30	300	390	440	12×Ø22	25	130	130	23	520	365	405	85	1½"
RFS 350	45	350	450	510	12×Ø22	30	150	150	25	580	403	445	90	1½"
RFS 400	65	400	500	560	16×Ø24	30	125	125	25	640	433	475	105	1½"

*图形尺寸单位为毫米, 厂家保留技术修改的权利

*Note: Technical modification are possible, dimensions in mm