



Product features

1

Compact

Smaller than former same type of our product

2

Lightweight

30% more lighter than former same type of our product
※Compared to previous type

3

MADE IN JAPAN

All manufactured in our own Japan factory.

LSB

Series Valve Actuator

Smaller and lighter Actuator

Since its establishment in 1938, Nippon Gear Co., Ltd. as a valve actuator manufacturer has a tradition of more than 80 years of supply records, and has earned a high reputation and deep trust from our clients.

Now releasing our newest LSB series with smaller and lighter body equipped with low-inertia torque motors for valve opening and closing operations, highly accurate limit switches for position detection, and highly accurate torque switches for load detection, we heighten our contribution to key industries such as power generation, water and sewage, oil & gas, chemicals, and steel, etc.

LSB Series Valve Actuator

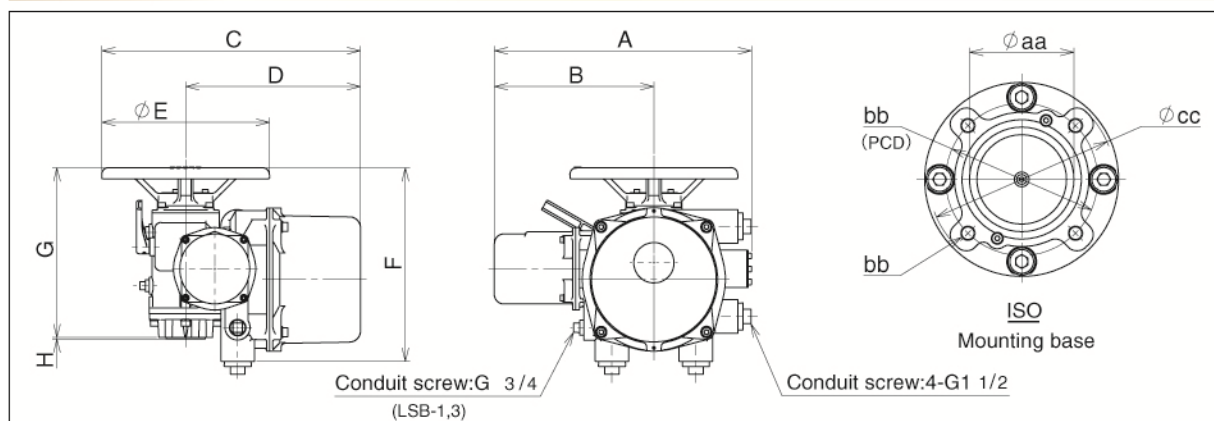


Specifications / Overview

Specifications

Unit Size		LSB-1	LSB-3	LSB-5	
Mechanical Spec.	Torque rating (N·m)	170	550	1000	
	Thrust rating (kN)	50	130	160	
	Min/Max. stem capacity (mm)	Thread connection	40	60	75
		Key connection	30	45	60
	Output speed (min ⁻¹)	60Hz	22~229	22~229	22~229
		50Hz	18~193	18~193	18~193
	Attachable actuator (Secondary reduction gearbox)		BGA-type, CWG-type, HB-type		
Torque switch		1a1b contact (open/close)			
Limit switch		4R-4C type (2a2b)			
Electric/Modulating control	Body	Heater		Standard	
	Motor	Size (kW)	0.2/0.4/0.75	0.75/1.5	2.2/5.5
		Standard Power Supply	50Hz	AC200/220/400/440V	
		60Hz	AC200/220/400/440V		
		Insulation type	F class		
	Rating	15min (duty)			
	Push button lamp station	Option			
Position transmitter, R/I converter					
Electromagnetic switch					
Modulating control					
Enclosure	IP grade	IP68			
	Ambient Temperature	-20°C~+70°C			
	Explosion proof	IECEX (Exd II CT4 (Hydrogen) / TIIS (Japan) / KOSHA (Korea) / ITRI (Taiwan)			
Weight kg (without options)		31	59	110	

Dimensions



Unit Size	Outline dimensions								Mounting base dimensions				
	A	B	C	D	φE	F	G	H	Conduit screw	ISO	φaa	bb	φcc
LSB-1	459	285	463	313	300	346	304	3	G3/4 (1 positions), G1 1/2 (4 positions)	F10	70	4-M10x1.5xdepth20/102PCD	125
LSB-3	518	343	562	337	450	411	409	4	G3/4 (1 positions), G1 1/2 (4 positions)	F14	100	4-M16x2.0xdepth32/140PCD	175
LSB-5	616	425	589	364	450	499	526	5	G1 1/2 (4 positions)	F16	130	4-M20x2.5xdepth35/165PCD	210

NIPPON GEAR CO., LTD.
日本ギア工業株式会社

<https://www.nippon-gear.jp/english/>

Head Office

2F, Keihanshin Toranomom building, 1-7-14, Nishi-Shinbashi, Minato-ku, Tokyo, 105-0003, Japan

Phone : +81-3-6363-3165 Fax : +81-3-6363-3168

■ Please refer to our website for other sales and service locations.

New product appearance!