



**TRUE L&V&L Capacitive filling level probe - KFX**  
Analogue current output 4...20 mA / 20...4 mA

- Integrated evaluation electronics
- Adjustable with EasyTeach by keypad (ETF) / EasyTeach by wire (ETW)
- Housing material: PTFE, Ø 16 mm
- Connection head / process connection: Aluminium / Stainless steel VA no. 1.4305 (AISI 303)
- Process connection G1"
- Additional output in the reference range (normally open / normally closed switchable)



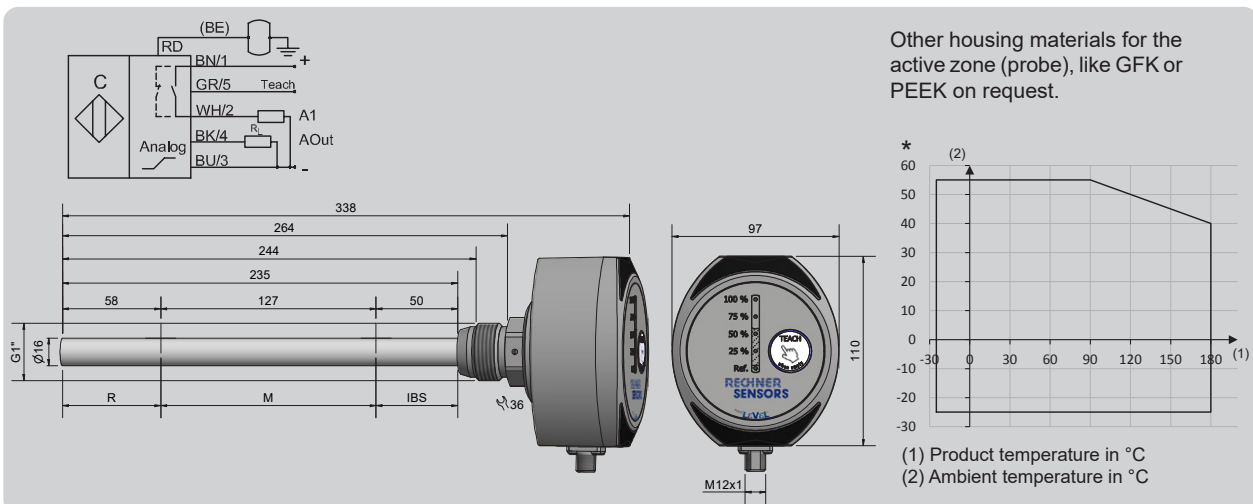
**Technical data**

Active zones [M]	127 mm
Output function	Analogue
<b>Type</b>	<b>KFX-1-58-235-127-PTFE/VA/AL-D16-PHG1-IL-ET-Y10</b>
<b>Art.-No.</b>	<b>KF 0642</b>
Operating voltage (U <sub>B</sub> )	18...36 V DC
Operating current (I <sub>e</sub> )	0...250 mA
Permitted residual ripple max.	25 %
Load resistance (R <sub>L</sub> )	≤ 600 Ω
Power consumption (outputs no-load)	3 W
Analogue output	4...20 mA / 20...4 mA
Permitted ambient temperature	-25...+55 °C
Permitted product temperature	-25...+180 °C*
LED-Display	Green / blue
Protective circuit	Built-in
Degree of protection IEC 60529	IP 65
Norm	EN 60947-5-2*
Connection	Flange connector M 12 x 1 (A-coded) (5-pin)
Connection head / process connection	Aluminium / Stainless steel VA no. 1.4305 (AISI 303)
Housing material (active zone)	PTFE (FDA 21 CFR 177.1550)
Lid	Aluminium

For matching connectors please see our selection of accessories.

\*Where applicable

All specifications are subject to change without notice. (23.11.2022)



**Made in Germany**