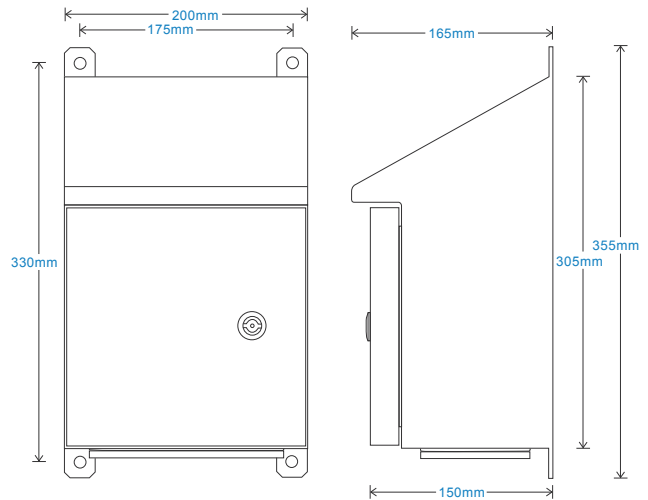


# HS-SE-SR Switching Enclosure

Stainless Steel with protective roof

## Key Features

- Protective roof to stop dust and dirt settling
- Provides a terminal to take readings from accelerometers via a portable data-collector
- Multiple outputs via one connector



dimensions to be specified in 'how to order' table

## Technical Performance

Inputs	Via accelerometer	Door	Lock and polyamide key
Output	BNC as standard (alternatives can be specified in 'How To Order' table)	Glanding	Glands supplied but not fitted
Mounting Board	Engraved traffolyte panel (customisable upon request)		Holes are punched for: Single input M12 - $\varnothing$ 3.5-7mm cable Single input M20 - $\varnothing$ 7-13mm multi-core cable Multi input M20 - 3 x $\varnothing$ 5.3mm
Material	304 Stainless Steel (to be specified in options of 'How To Order' table)	Labelling	Channel locations - other labelling available upon request
Dimensions	see: diagram	Mounting	supplied are 4 x Brackets
Sealing	IP66	EMC	EN61326-1:2013
Termination	Klippon Type		

## How To Order

