

## JBOX

## JUNCTION BOXES FOR WEIGHING SYSTEMS

Junction boxes designed to connect several load cells in parallel to the same electronics with corner adjustment.



JBOX-4 / JBOX-AJB



### Features

- o 4 or 6 inputs
- o Connection in 4 or 6 wires
- o Cabling of load cells and electronics by screw terminals
- o Waterproof

**Application(s)** SENSY's JBOX are perfectly designed for the following applications:

- Legal for trade or industrial weighing,
- Scales and balances.

### Function(s)

- User-friendly configuration
- Sturdy design
- JBOX-4: 4 load cells - low-cost
- JBOX-AJB-4: 4 load cells - corner adjustments - surge protection
- JBOX-AJB-6: 6 load cells - corner adjustments - surge protection

Specifications	JBOX-4	JBOX-AJB-4	JBOX-AJB-6	
Qty of load cells max.	4	4	6	-
Corner adjustment	No	Yes	Yes	-
Service temperature range	-10...+40	-10...+40	-10...+40	°C
Storage temperature range	-30...+70	-30...+70	-30...+70	°C
Qty of cable glands	5	5	7	-
Material	Polycarbonate	Stainless steel	Stainless steel	-
IP rating	IP66	IP67	IP67	-

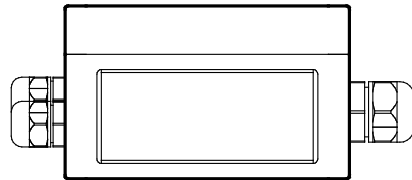
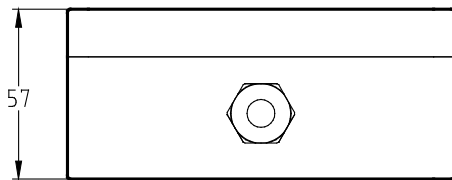
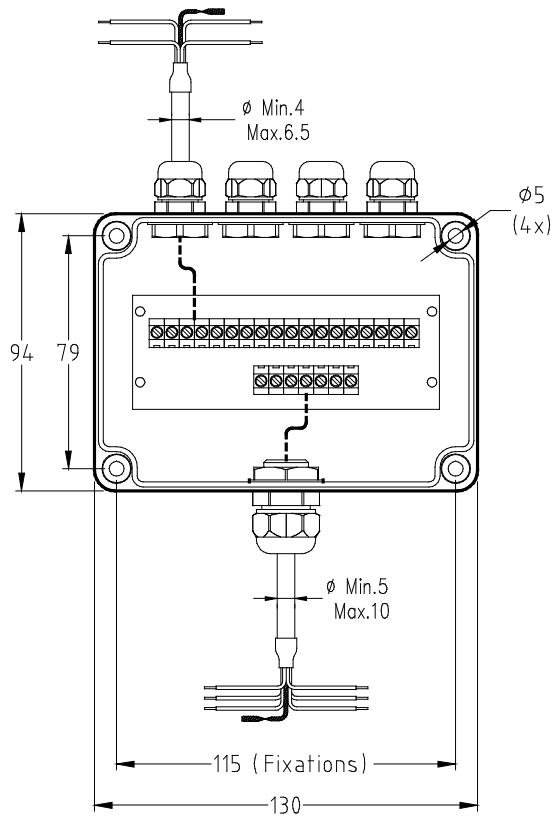
\*F.S. : Full Scale.

Specifications subject to change without notice.



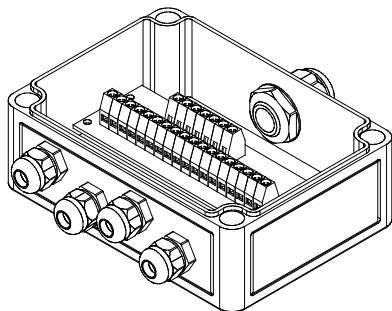
ISO 9001 certified

JBOX-4 > STANDARD DIMENSIONS

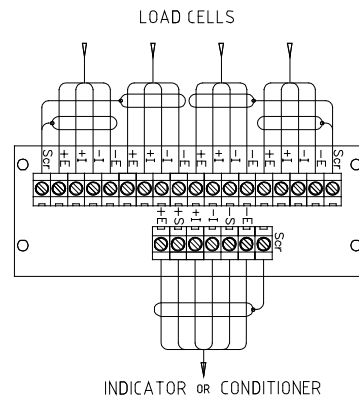


Dimensions in mm

Other view

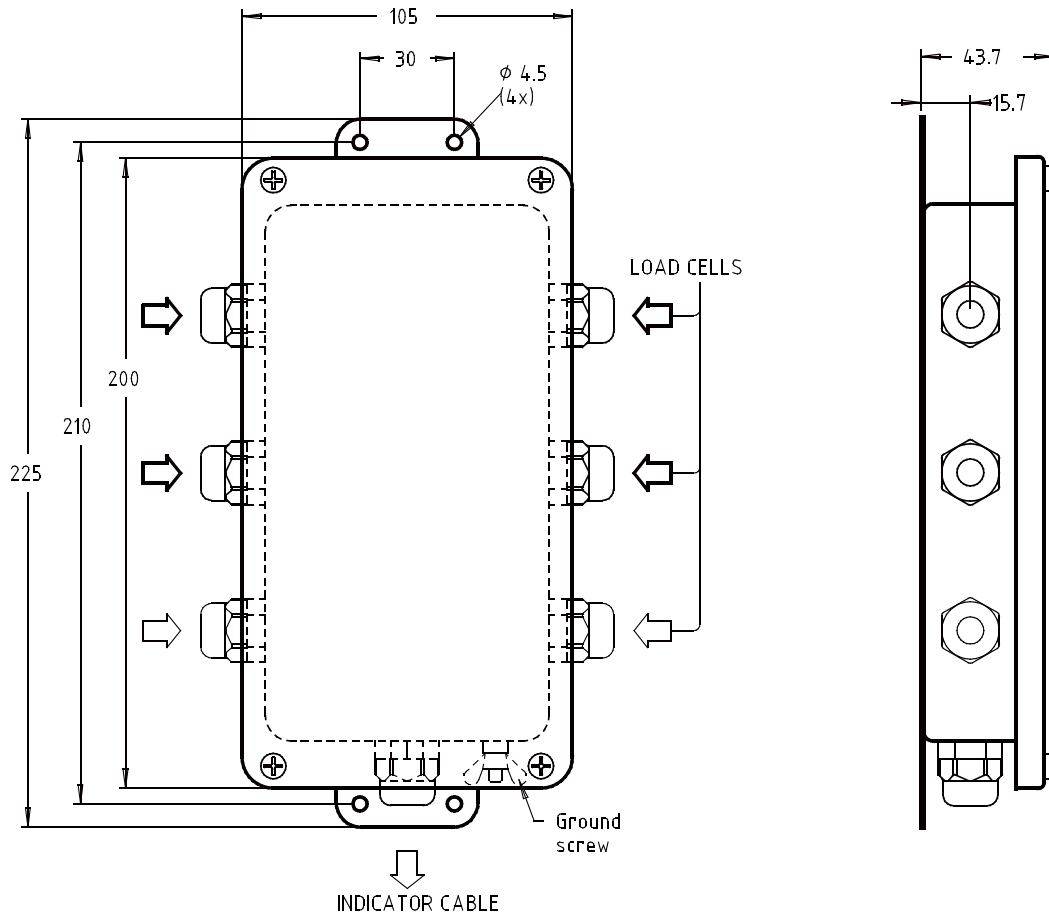


Terminals



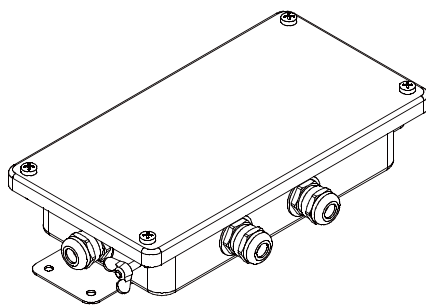
- SCR=CABLE SCREEN
- E=Exc.- (YELLOW)
- S=Sense - (GREY)
- I=Sig.- (WHITE)
- +I=Sig.+ (GREEN)
- +S=Sense + (PINK)
- +E=Exc.+ (BROWN)

JBOX-AJB4 / AJB6 > STANDARD DIMENSIONS



Dimensions in mm

Other view



Terminals

