

5300

## STANDARD LOAD PINS

Load pins with standard dimensions.



Model 5300 - 20 t



### Features

- o CE certified for hoisting applications
- o Sturdy design
- o Material: stainless steel
- o Protection class: IP65
- o Easy to install
- o Complete range of CE certified electronics and load limiters
- o Cable length: 6 m (other lengths available on request)

### Most popular options



Ex i



IP67 MARINE

**Application(s)** SENSY's load cells 5300 are perfectly designed for the following applications:

- Hoisting devices and crane security in combination with load limitation electronics (e.g.: BRIDGE-BOY, CRANE-BOY, ...),
- Agriculture machines, theater equipment, elevators, hydraulic cylinders monitoring.

### Capacities

5300: 0.5 - 1 - 2 - 3 - 5 - 10 - 20 - 30 - 50 - 75 - 100 - 125\*\*\* t

Specifications	SL - FORCE	SL - HOIST	SL - LIFT	
Combined error (non-linearity + hysteresis)	0.25 - 1**	0.5 - 2**	0.5 - 2**	% F.S.*
Repeatability error	<± 0.25	<± 0.25	<± 0.25	% F.S.*
Creep error over 30 min.	<± 0.3	<± 0.3	<± 0.2	% F.S.*
Zero shift after loading	<± 0.5	<± 0.5	<± 0.5	% F.S.*
Reference temperature	23	23	23	°C
Compensated temperature range	-10...+45	-10...+45	-10...+45	°C
Service temperature range	-25...+70	-25...+70	-25...+70	°C
Storage temperature range	-50...+85	-50...+85	-50...+85	°C
Temperature coefficient of the sensitivity	<± 0.2	<± 0.2	<± 0.2	% F.S./10°C
Temperature coefficient of zero signal	<± 0.2	<± 0.2	<± 0.2	% F.S./10°C
Zero balance	± 0.02	± 0.02	± 0.02	mVV
Nominal sensitivity	± 1.5	± 1	± 0.5	mVV
Input resistance	350 ± 2	350 ± 2	350 ± 2	ohm(s)
Output resistance	350 ± 2	350 ± 2	350 ± 2	ohm(s)
Insulation resistance (50 V)	> 5000	> 5000	> 5000	Mohm(s)
Reference excitation voltage	10	10	10	VDC
Permissible nominal range of excitation voltage	3...12	3...12	3...12	VDC
Safe load limit	150	200	300	% F.S.*
Breaking load	> 300	> 500	> 1000	% F.S.*
Permissible dynamic loading	50	75	100	% F.S.*
Static lateral force limit	100	150	200	% F.S.*

\* F.S. : Full Scale.

\*\* Typical range of accuracy, depending on design and dimensions.

\*\*\* 125 t only force version.

Specifications subject to change without notice.

5300 > TECHNICAL SPECIFICATIONS

Load pins range



**5000** (1 to 2000 t)  
CUSTOM-MADE LOAD PIN



**5050** (1 to 2000 t)  
SUBSEA LOAD PIN

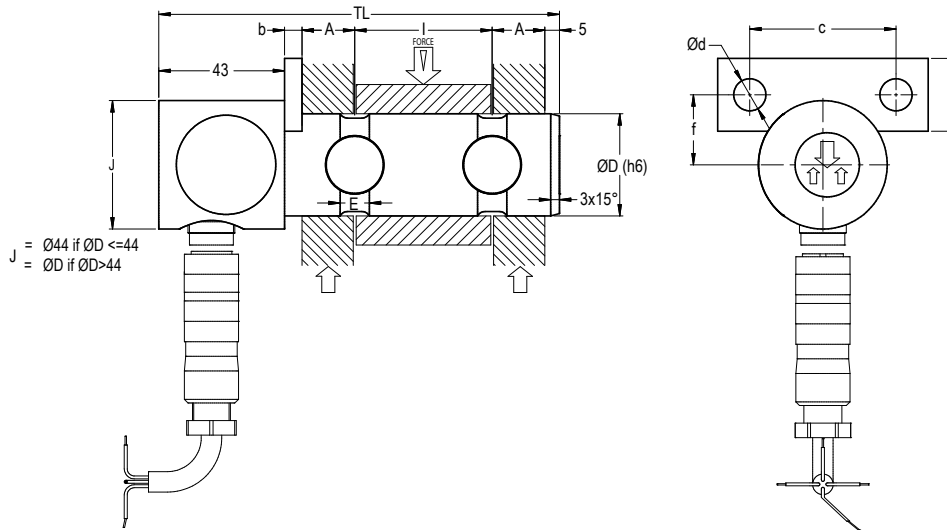


**5300** (0.5 to 125 t)  
STANDARD LOAD PIN



**5600** (0.5 to 14 t)  
ECONOMICAL LOAD PIN

5300 drawing



Ref. Item	CAPACITIES			ØD	A	E	l	a	b	c	Ød	f	TL	Weight (kg)
	Force > 300 %*	Hoist > 500 %*	Lift > 1000 %*											
5300-A	0.75 t	0.5 t	0.25 t	25	13.5	8	31	25	6	50	11	20.5	112	1.02
5300-B	1.5 - 3 t	1 - 2 t	0.5 - 1 t	25	13.5	8	31	25	6	50	11	20.5	112	1.04
5300-C	5 - 7.5 t	3 - 5 t	1.5 - 2.5 t	35	18	10	47	25	6	50	11	24	137	1.44
5300-D	16.6 t	10 t	5 t	50	27	14	66	30	8	70	13	33	176	2.88
5300-E	30 t	20 t	10 t	65	32.5	18	90	30	8	70	13	38	211	5.44
5300-F	50 t	30 t	15 t	75	40	25	100	40	10	100	17	47	241	8.15
5300-G	75 t	50 t	-	85	49	20	117	40	10	100	17	50.5	271	12
5300-H	100 t	75 t	-	100	72.5	35	155	40	10	100	17	56	354	21.1
5300-I	125 t	100 t	-	120	72.5	35	155	50	12	140	21	68.5	354	31.4

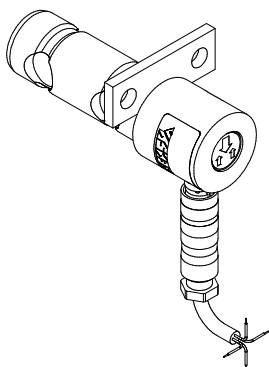
\* Breaking load (% full scale)

→ Other capacities and dimensions available on request

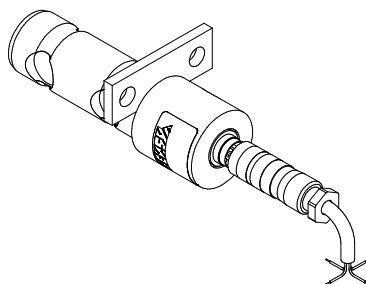
Dimensions in mm

Other views

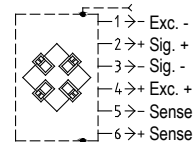
RADIAL OUTPUT (STANDARD)



AXIAL OUTPUT (5300A-x) - OPTION



Wiring



Yellow  
Green 6 DIN 45322  
White Connector  
Brown

Standard: Cable screen not connected to transducer

Load direction

